

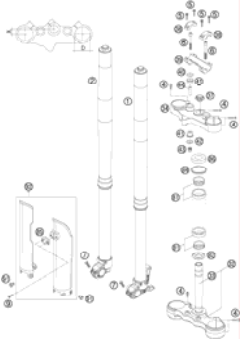
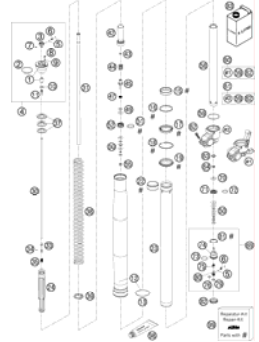
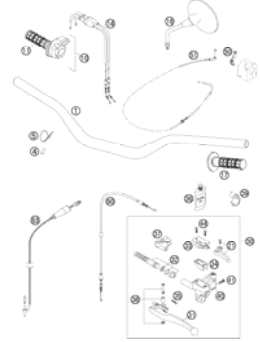
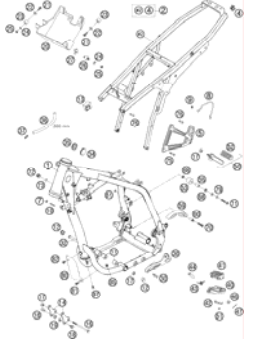
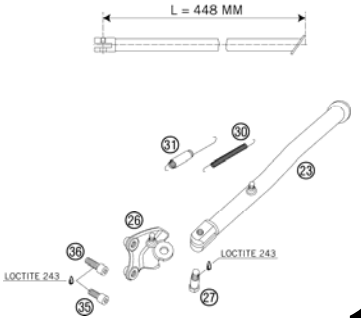
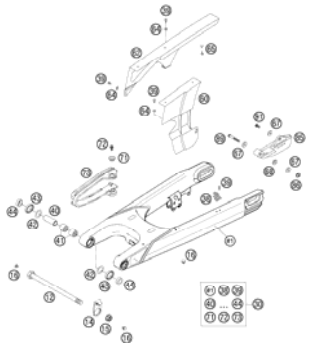
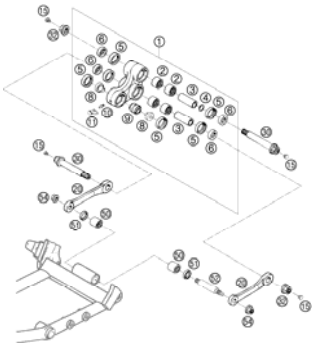
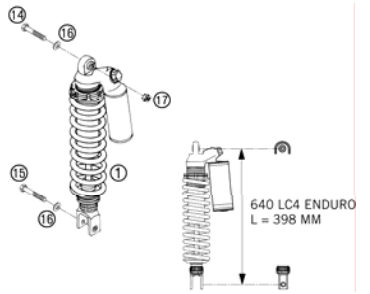
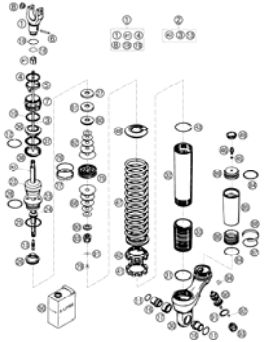
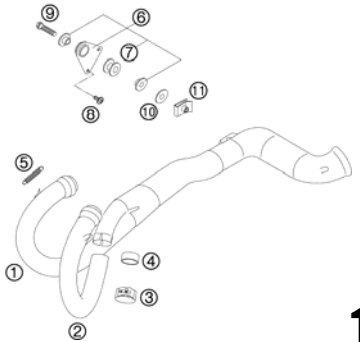
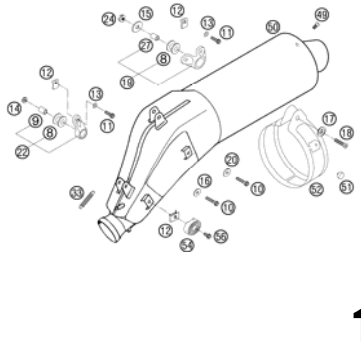
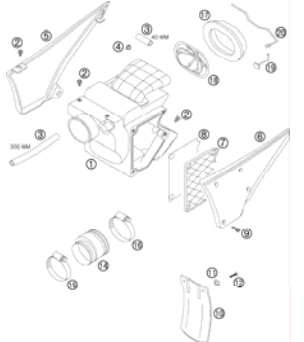
640 LC4 ENDURO ORANGE EU 2006

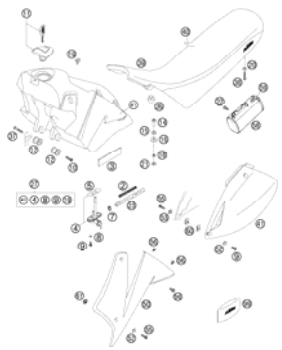
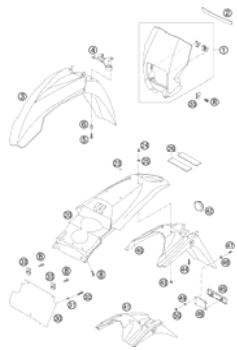

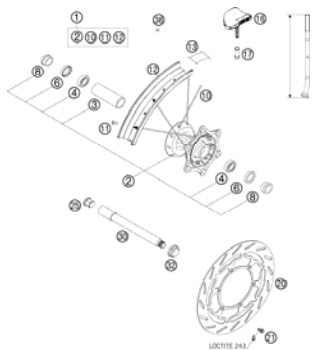
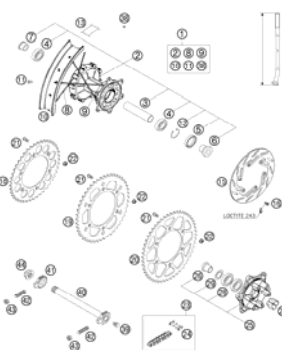
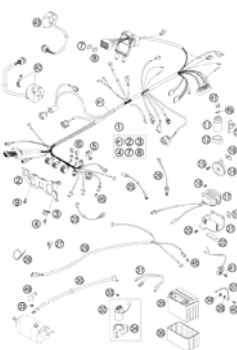
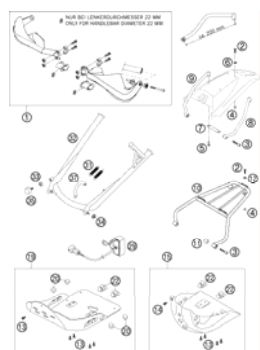
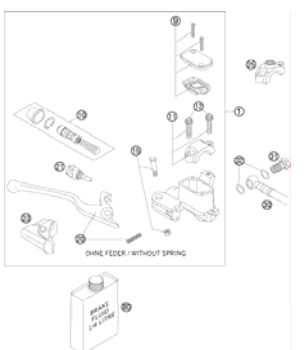
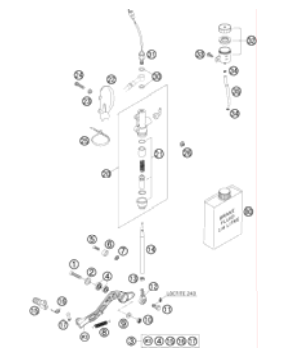
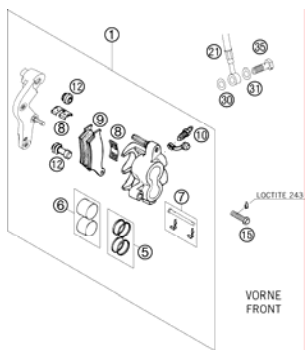
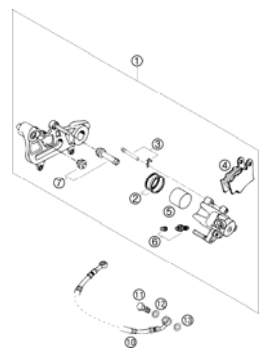
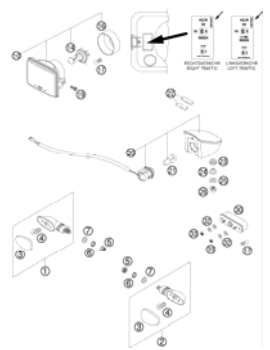
SPARE PARTS MANUAL: CHASSIS

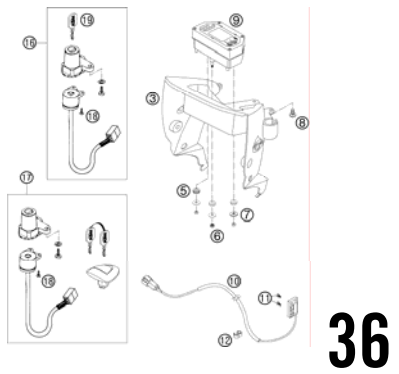
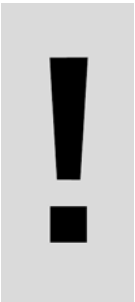
ART.NO.: 3CF9703F6EN

ENGLISH



<p>FRONT FORK</p>  <p>4</p>	<p>FORK LEGS</p>  <p>5</p>	<p>HANDLEBAR, CONTROLS</p>  <p>8</p>	<p>FRAME, SUBFRAME</p>  <p>9</p>
<p>SIDE STAND</p>  <p>11</p>	<p>SWINGARM, CHAIN GUARD</p>  <p>12</p>	<p>PRO LEVER SYSTEM</p>  <p>13</p>	<p>MONOSHOCK</p>  <p>14</p>
<p>MONOSHOCK DISASSEMBLED</p>  <p>15</p>	<p>EXHAUST PIPES</p>  <p>18</p>	<p>EXHAUST SILENCER</p>  <p>19</p>	<p>AIR FILTER BOX</p>  <p>20</p>

<p>TANK, SEAT, COVER</p>  <p>21</p>	<p>MASK, FENDERS</p>  <p>23</p>	<p>DECAL</p>  <p>24</p>	<p>FRONT WHEEL</p>  <p>25</p>
<p>REAR WHEEL</p>  <p>26</p>	<p>WIRING HARNESS</p>  <p>28</p>	<p>ATTACHMENT PARTS</p>  <p>30</p>	<p>HAND BRAKE CYLINDER</p>  <p>31</p>
<p>REAR BRAKE CONTROL</p>  <p>32</p>	<p>BRAKE CALIPER FRONT</p>  <p>33</p>	<p>BRAKE CALIPER REAR</p>  <p>34</p>	<p>LIGHTING SYSTEM</p>  <p>35</p>

<p>SPEEDOMETER</p>  <p>36</p>			
	 <p>All information contained is without obligation. KTM-Sportmotorcycle AG particularly reserves the right to modify any equipment, technical specifications, prices, colors, shapes, materials, services, service work, constructions, equipment and the like so as to adapt them to local conditions or to cancel any of the above items, all without previous announcement and without giving reasons. KTM may stop manufacturing certain models without previous notice. KTM shall not be held liable for any deviations of availability and/or ability to deliver, illustrations, descriptions, printing and/or other errors. The illustrated models partly contain extra equipment, which is not applied to standard models. © 2004 by KTM-SPORTMOTORCYCLE AG, Mattighofen AUSTRIA; All rights reserved; Reprint, also in extracts, with written allowance of KTM-SPORTMOTORCYCLE AG, Mattighofen only.</p>		

FRONT FORK

640 LC4 ENDURO ORANGE EU 2006

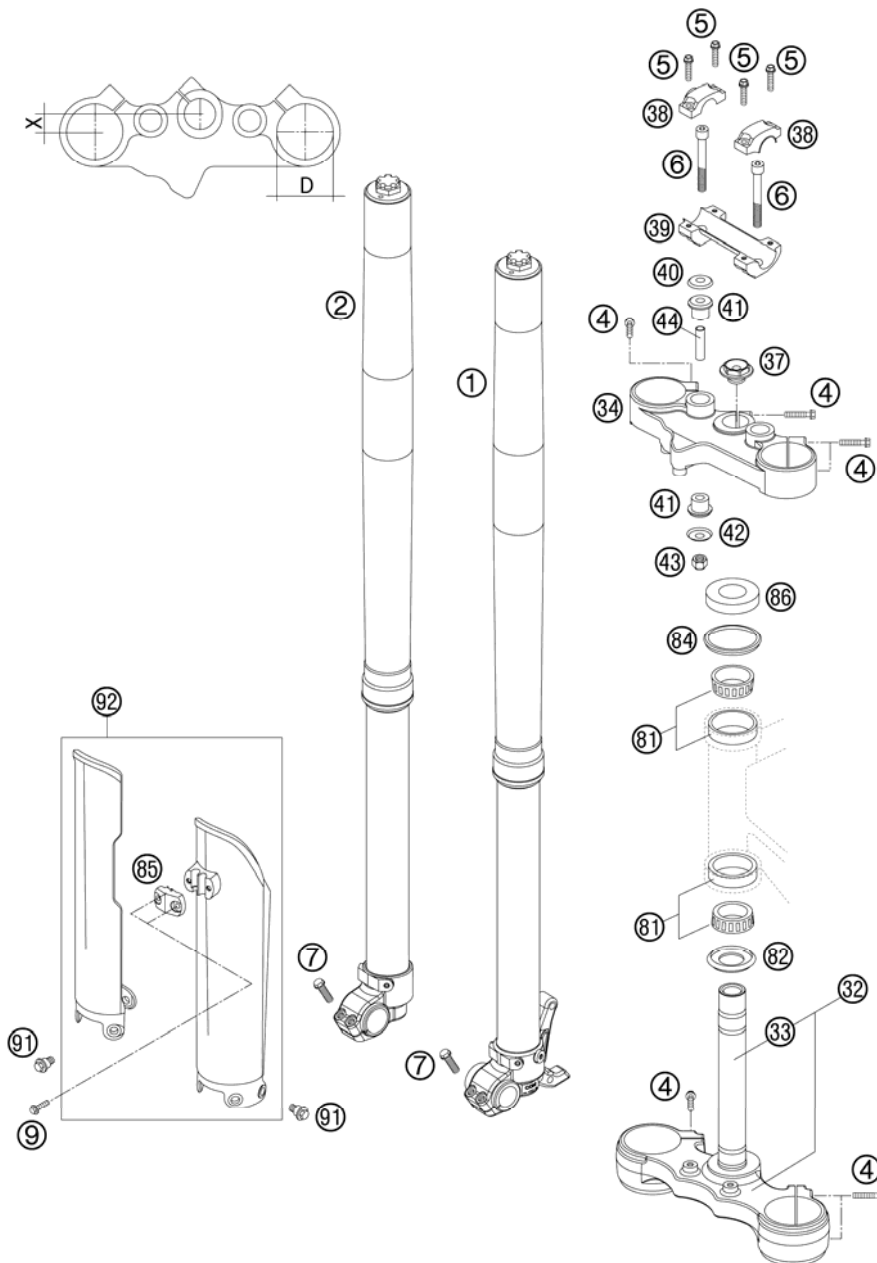


FIG	PART NUMBER	DESCRIPTION	QTY
1*	05187B02LS	FORK LEG L/S	1
2*	05187B02RS	FORK LEG R/S	1
4	0015080353	HH COLLAR SCREW M 8X35 WS=10	9
5	0015080303	HH COLLAR SCREW M 8X30 WS=10	4
6	0984100706	AH SCREW DIN6912-M10X70 10.9	2
7	0015080253	HH COLLAR SCREW M 8X25 WS=10	4
9	0017060203	EJOT PT SCREW K60X20 WS=6	2
32	58401032118	BOT.TRIPLE CLAMP X=18MM/D=57MM	1
33	50101033100	FORK TUBE L=244 '91	1
34	58401034318	TOP TRIPLE CLAMP X=18MM/D=54MM	1
37	50301036000	STEER.HEAD SCREW M20X1,5 WS=27	1
38	59001038200	HANDLEBAR CLAMP D=28MM 2000	2
39	59001039100	HANDLEBAR SUPPORT 28MM SC'99	1
40	56401042000	WASHER 10,5X32X2	2
41	56401040000	RUBBER BUSHING	4
42	56401142000	WASHER 10,5X31	2
43	0982100003	SELF LOCK.NUT DIN0982-M10 HIGH	2
44	56401041100	SPACER TUBE 10,2X12X44	2
81*	54201081100	TAPERED ROLLER BEARING CPL. 06	2
82	54601084100	O-RING SUPPORT W. SEALING LIP	1
84	54601184000	STEERING HEAD GASKET TOP	1
85	58201085000	CLAMP F.SPEED CABLE D=8MM 2001	1
86	54201086000	STEERING HEAD COVER	1
91	59001092050	SPECIAL SCREW M6X12,5 WS=8	6
92	5900109400030	FORK PROTECT. L/S+R/S BLACK 02	1

05584010 / C065840100

* NEW PART

X AS REQUIRED

FORK LEGS

640 LC4 ENDURO ORANGE EU 2006

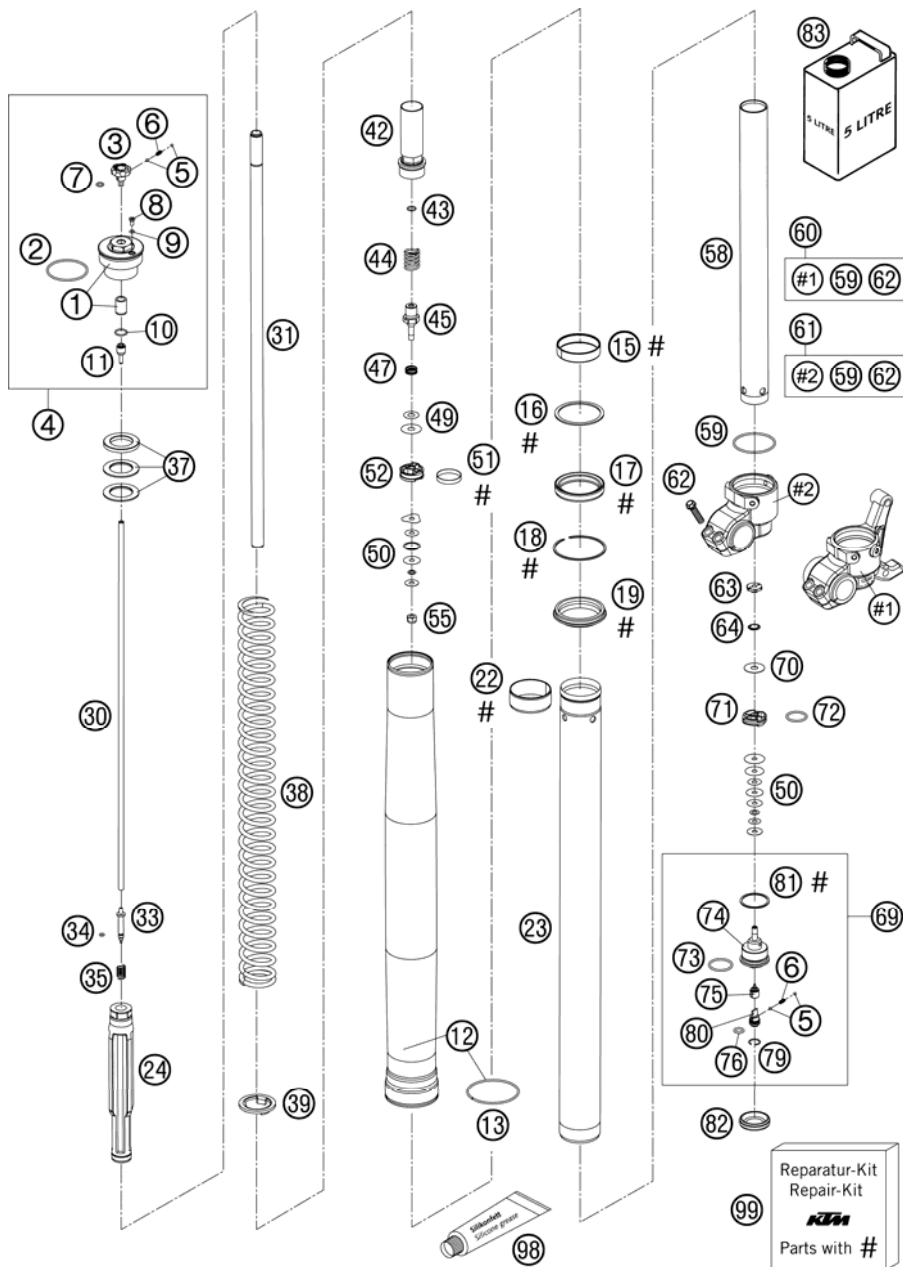


FIG	PART NUMBER	DESCRIPTION	QTY
1	48600020S1	SCREW CAP M51X1,5 CPL.	2
2	46810340	O-RING NBR 45X2	2
3	48600018	KNOB REBOUNG ADJUSTER	2
4	48600020S1	SCREW CAP M51X1,5 CPL.	2
5	40540603	STEEL BALL D=3MM	8
6	48600028	SPRING D=2,9 L=7,9	4
7	48600044	O-RING NBR 6X1,5	2
8	48600058	VENT SCREW M4X6	2
9	48600009	O-RING NBR 3,7X1,6	2
10	48600043	O-RING NBR 12X1,5	2
11	48600019	HOLDER F.ADJUSTMENT TUBE D=4MM	2
12*	43570211E	OUTER TUBE L=577 D54/57	2
13	43570099	GUIDING RING D=53MM	2
15	43570204	DU-BUSH 43X47X12 DAIDO	2
16	43570092	SUPPORT RING 45 X 52,5 X 1,5	2
17	43570201	OIL SEAL RING 43 X 52,9 X 9,5	2
18	43570008	LOCK WASHER SB53	2
19	43570202	DUST STRIPPER 43 X 53,4 X 11,8	2
22	43570203	DU-BUSH 42X44X20	2
23	43570221	INNER TUBE D=43MM L=585MM	2
24	43570142S1	HYDR.STOP L=200 D=27,5 CPL. 05	2
30	48600014	ADJUSTMENT TUBE L=512MM	2
31	48600408	PISTON ROD D=14 L=546 M11X1	2
33	48600189	NEEDLE REBOUNG 2003	2
34	48600046	O-RING NBR 3X1,5	2
35	48600033	SPRING REBOUNG NEEDLE C=4N/MM	2
37	48600036	SPACER 42X26,5X2,5	2
37	48600037	SPACER 42X26,5X5	2
37	48600038	SPACER 42X26,5X10	4
37	48600053	SPACER 42X26,5X1,5	2
38	95010002S	SPRING 4,0 N/MM SET D=4,75MM	x
38	95010003S	SPRING 4,2 N/MM SET D=4,9MM	1
38	95010004S	SPRING 4,4 N/MM SET D=4,9MM	x
39	43570131	INTERM. RING 26,2X38,5X3	2
42	48600200S	SCREW SLEEVE M29,3X1 L=65 CPL.	2
43	48600239	O-RING NBR 8X1,25	2

065840101 / C065840101

* NEW PART

X AS REQUIRED

FORK LEGS

640 LC4 ENDURO ORANGE EU 2006

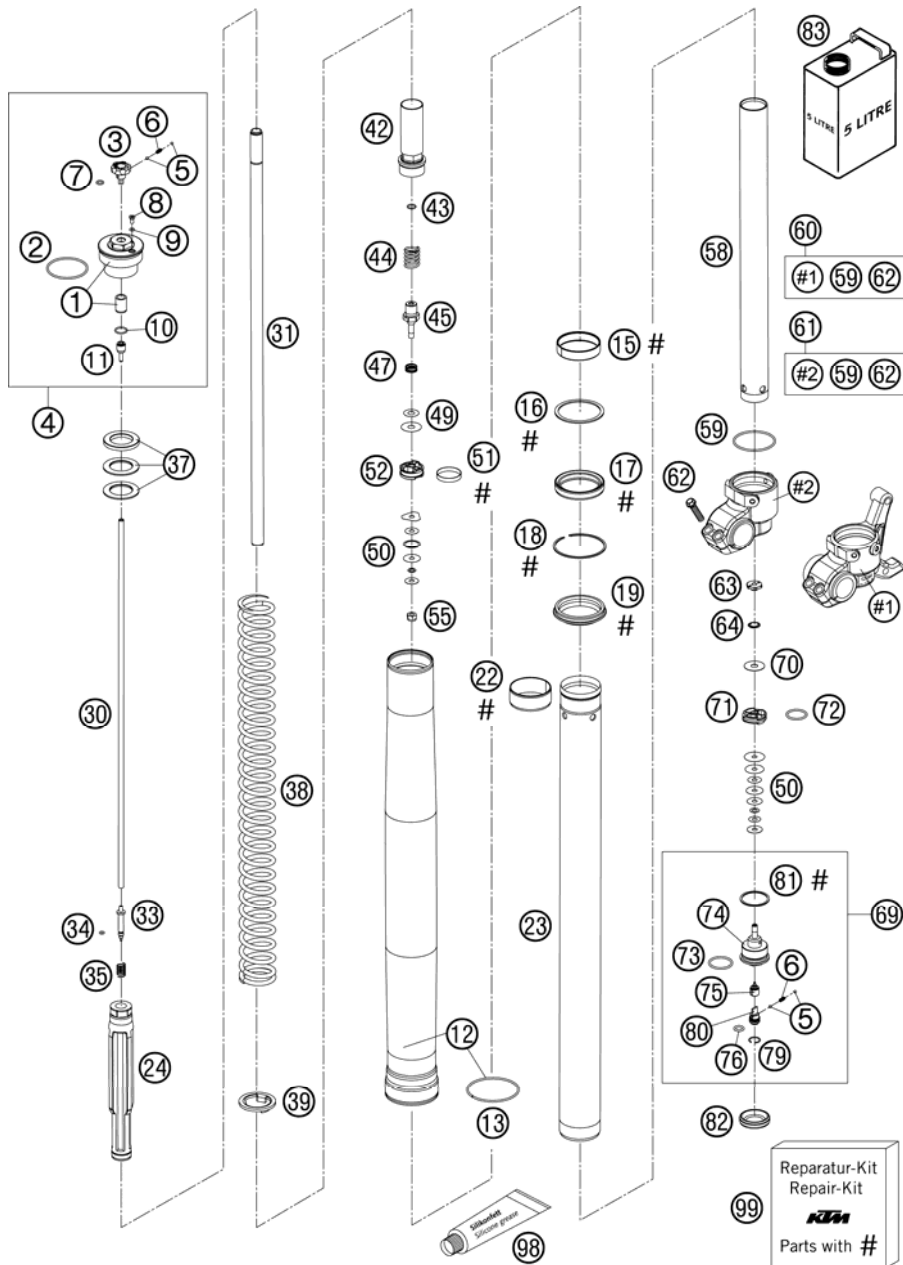


FIG	PART NUMBER	DESCRIPTION	QTY
44	48600178	REBOUND SPRING D=14,6MM L=75MM	2
45	48600203	TAB REBOUND D=3 03	2
47	35480377	SPRING CHECK VALVE D=0,5	2
49	43570120	SHIM 8X18X0,10	2
49	48600062	CHECK VALVE 8X24X0,1	8
49	48600215	CHECK VALVE 8X20X0,1	2
49	48600216	CHECK VALVE 8X22X0,1	2
50	40540400	SHIM 6X12X0,1	x
50	40540401	SHIM 6X14X0,1	x
50	40540402	SHIM 6X16X0,1	x
50	40540403	SHIM 6X18X0,1	x
50	40540404	SHIM 6X12X0,15	x
50	40540405	SHIM 6X14X0,15	x
50	40540414	SHIM 6X16X0,25	x
50	40540415	SHIM 6X18X0,25	x
50	40540447	SHIM 6X10X0,3	x
50	48600063	SHIM 6X24X0,1	x
50	48600064	SHIM 6X22X0,1	x
50	48600065	SHIM 6X20X0,1	x
50	48600116	SHIM 6X24X0,1 DELTA	x
50	48600139	SHIM 6X22X0,1 DELTA	x
51	48600060	PISTON RING 5X1X84	2
52	48600042	PISTON REBOUND D=27,7	2
55	40540486	NUT M6X0,5 REBOUND	2
58	48600081	TUBE 29,3X1X390 D=8,5MM	2
59	43570023	O-RING NBR 41X2	2
60	43570207S	AXLE CLAMP L/S CPL. USD 43 04	1
61	43570123S	AXLE CLAMP R/S CPL. USD 43 04	1
62	0015080253	HH COLLAR SCREW M 8X25 WS=10	4
63	48600163	CHECK VALVE NUT M6X0,5 D=2	2
64	48600202	SPRING CHECK VALVE D=0,7	2
69	48600152S1	TAP COMPRESSION CPL. 03	2
70	48600061	CHECK VALVE 8X24X0,4	2
71	48600047	PISTON COMPRESSION D=27,9	2
72	46811499	O-RING NBR 21X2	2
73	35480320	O-RING NBR 24X2	2

065840101 / C065840101

* NEW PART

X AS REQUIRED

FORK LEGS

640 LC4 ENDURO ORANGE EU 2006

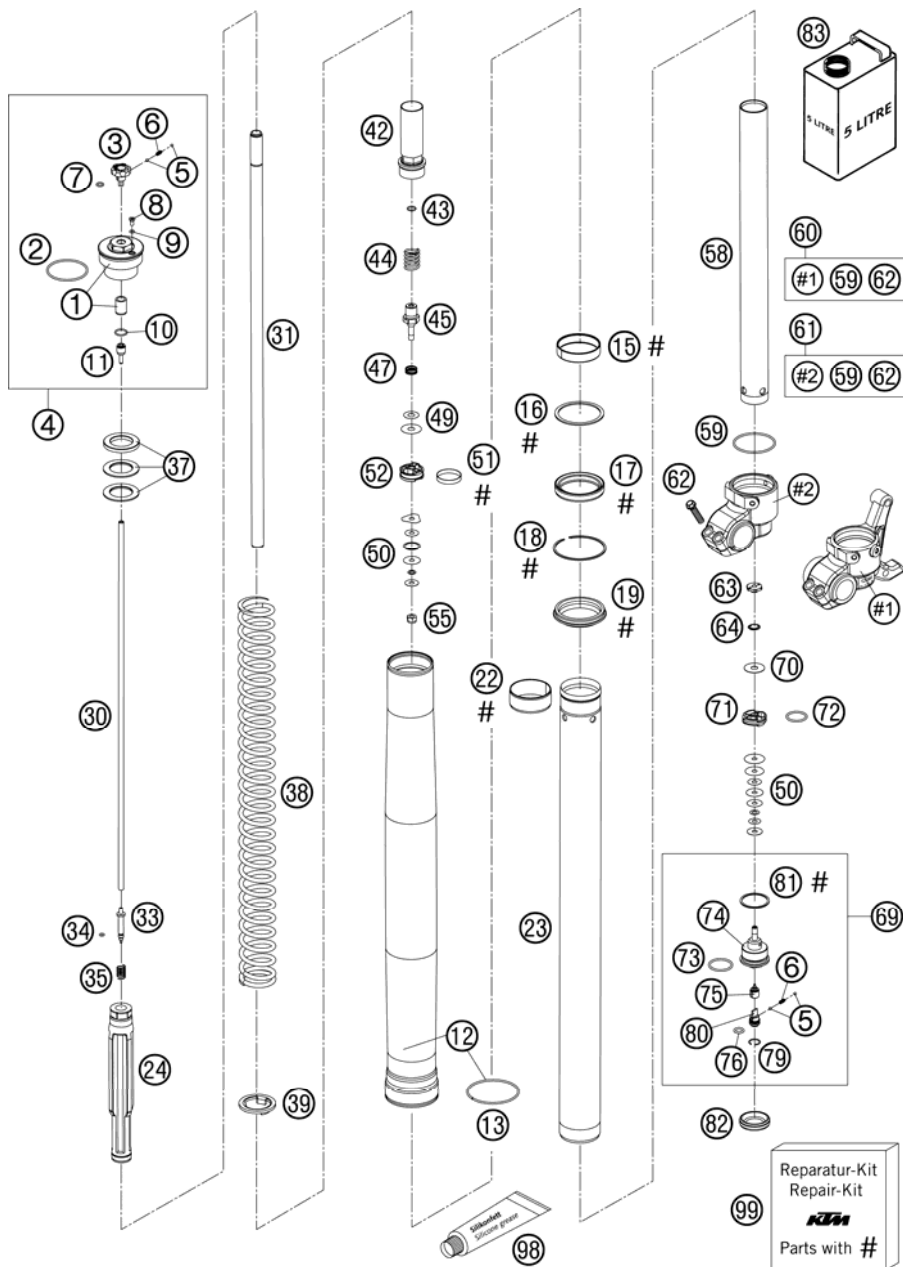


FIG	PART NUMBER	DESCRIPTION	QTY
74	48600152	TAP COMPRESSION	2
75	48600190	NEEDLE COMPRESSION 2003	2
76	48600049	O-RING NBR 8X2	2
79	48600051	LOCK WASHER RB12	2
80	48600034	COMPRESSION ADJ. SCREW	2
81	48600004	COPPER WASHER 29,5X33,5X1	2
82	48600141	RUBBER CAP D=35MM	2
83	48600401S1	FORK OIL SAE 5 2005	1
98	T511	SILICONE GREASE F. DUST STRI	1
99	R510	REPAIR-KIT GASKET 4357 MXMA 03	1

065840101 / C065840101

* NEW PART

X AS REQUIRED

HANDLEBAR, CONTROLS

640 LC4 ENDURO ORANGE EU 2006

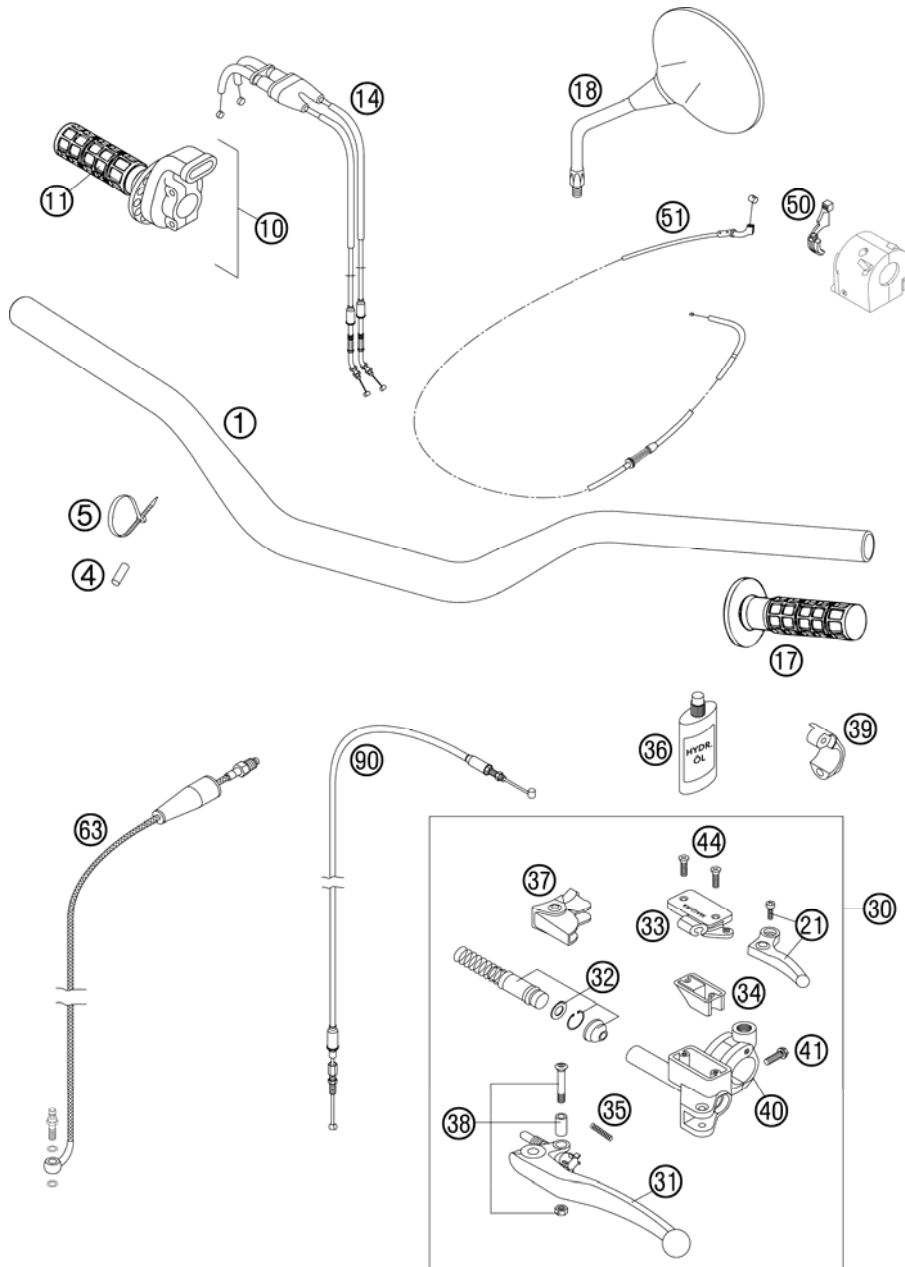


FIG	PART NUMBER	DESCRIPTION	QTY
1	58402001000	HANDLEBAR ALU LC4, ADVENTURE02	1
4*	58007016300	HOSE 7x11x30MM	1
5	44011076200	CABLE TIE 200/3,6MM BLACK	1
10	58402010600	THROTTLE GRIP CPL. 640LC4 2000	1
11	58302003000	TWIST GRIP COVER DOMINO	1
14	58402091600	THROTT.CABLE "OPEN-CLOSE" 2000	1
17	58302052000	FIXED GRIP DOMINO '93	1
18	58412040100	REAR MIRROR L/S+R/S LC4 2001	2
21	59002047000	DECO.LEVER CPL. RACING 2000	1
30	58402030000	MASTER CYLINDER CPL. LC4 03	1
31	60002031000	CLUTCH LEVER LONG CPL. 2003	1
32	50302032000	REP.SET PISTON CLUT.HYDR. '98	1
33	59002033000	COVER HYD.CLUTCH RACING 2000	1
34	50302034000	RUBBER FOR RESERVOIR '98	1
35	59002035000	SPRING FOR CLUTCH LEVER 03	1
36	50302036200	OIL FOR HYD. CLUTCH 75ML	1
37	50302037000	PROTECT.CAP FOR LEVER PERCH'98	1
38	50302038000	LEVER SCREW CPL. 125-200 '98	1
39	50302030150	CLAMP WITH PIN 2000	x
40	59002044000	CLAMP MIRROR WITH PIN	1
41	0015060203	HH COLLAR SCREW M 6X20 WS=8	1
44	0965040123	FLAT HEAD SCREW DIN0965-M 4X12	2
50	58402050000	CHOKE LEVER LC4 2002	1
51	58402095100	CHOKE CABLE F. MIKUNI LC4 02	1
63	58432063000	CLUTCH PIPE LC4/SXC/SM 03	1
90	58402094000	DECOMPR. CABLE LC4 03	1

05584020 / C065840200

* NEW PART

X AS REQUIRED

FRAME, SUBFRAME

640 LC4 ENDURO ORANGE EU 2006

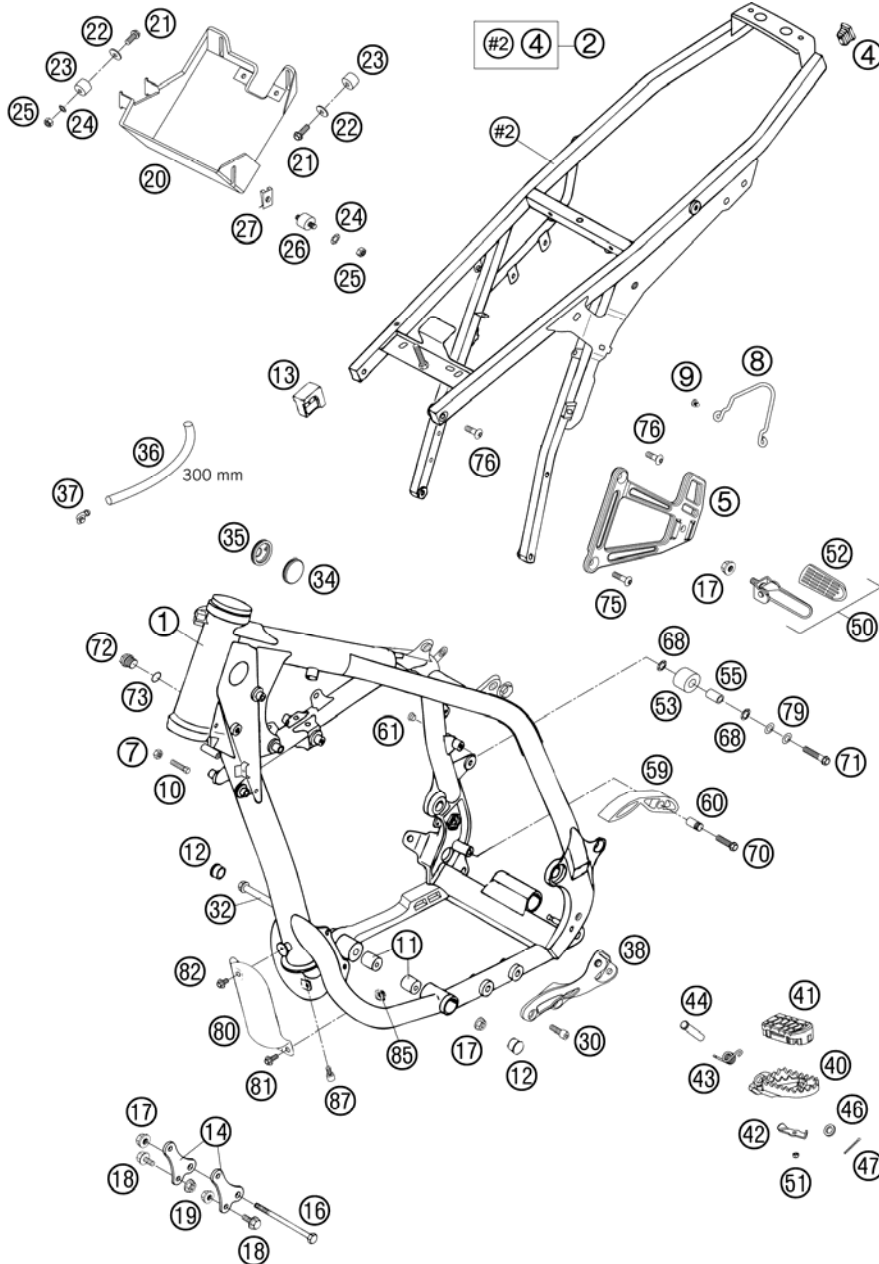


FIG	PART NUMBER	DESCRIPTION	QTY
1	5840310104490	FRAME CPL. "EE05" 640 END. 05	1
2	5840300234490	SUBFRAME CPL. STEEL SILVER 00	1
4	58303002090	PLUG 12 X 17 MM	2
5	5810300420090	FOOTRESTBRACK. REAR R/S SILVER	1
5	5840304800090	FOOTRESTBRACK. REAR L/S 04	1
7	0934080003	HEXAGON NUT DIN0934-M 8	2
8	58403056000	THERMAL PROTECTION BOW 04	1
9	0985050103	OVAL HEAD SCR. DIN7985-M 5X10	2
10	59001037000	SPECIAL SCREW M8X26 WS=10	2
11	58003012000	SPACER ROLLER 10,3X20X22	2
12	71001012100	PVC CAP D=22MM	2
13	58307015000	TANK SUPPORT '93	2
14	58303055000	ENGINE SUPPORT AGW '94	2
16	58403013000	ENGINE BRAC.SCREW M10X110 WS13	1
17	54630044000	COLLAR NUT M10 WS=13	4
18	49109481052	HH COLLAR SCREW M 8X16 WS=13	4
19	54310086200	SELF LOCKING NUT M8 10.9	4
20	58403002370	BATTERY BOX 03	1
21	0015060103	HH COLLAR SCREW M 6X10 WS=8	3
22	0021060003	WASHER DIN9021-A 6,4	3
23	43205062100	RUBBER GROMMET 20X15-M6X10 (1)	3
24	0797060003	TOOTH LOCK WASH. DIN6797-A 6,4	2
25	0934060003	HEXAGON NUT DIN0934-M 6	2
26	58403002010	RUBBER GROMMET 20X15-M6X8-(2)	1
27	54603048100	RANGE CHANGE METAL NUT M6	1
30	0912100250	AH SCREW DIN6912-M10X25,10.9,L	2
32	58403014000	ENGINE BRAC.SCREW M10X160 WS13	1
34	54606004000	PLUG 37MM	1
35	54606004100	PLUG 37MM PERFORATED 04	1
36	55007016001	PVC-HOSE 7X10 PER METER	x
37	50303089000	ANGEL PIECE '97	1
38*	58403038100	FOOTREST BRACKET LEFT ALU 05	1
40	59003040250	FOOT PED L/S SILVER 02	1
40	59003041250	FOOT PED R/S SILVER 02	1
41	60003040010	FOOTREST RUBBER FRONT L/S 03	1
41	60003041010	FOOTREST RUBBER FRONT R/S 03	1

05584030 / C065840300

* NEW PART

X AS REQUIRED

FRAME, SUBFRAME

640 LC4 ENDURO ORANGE EU 2006

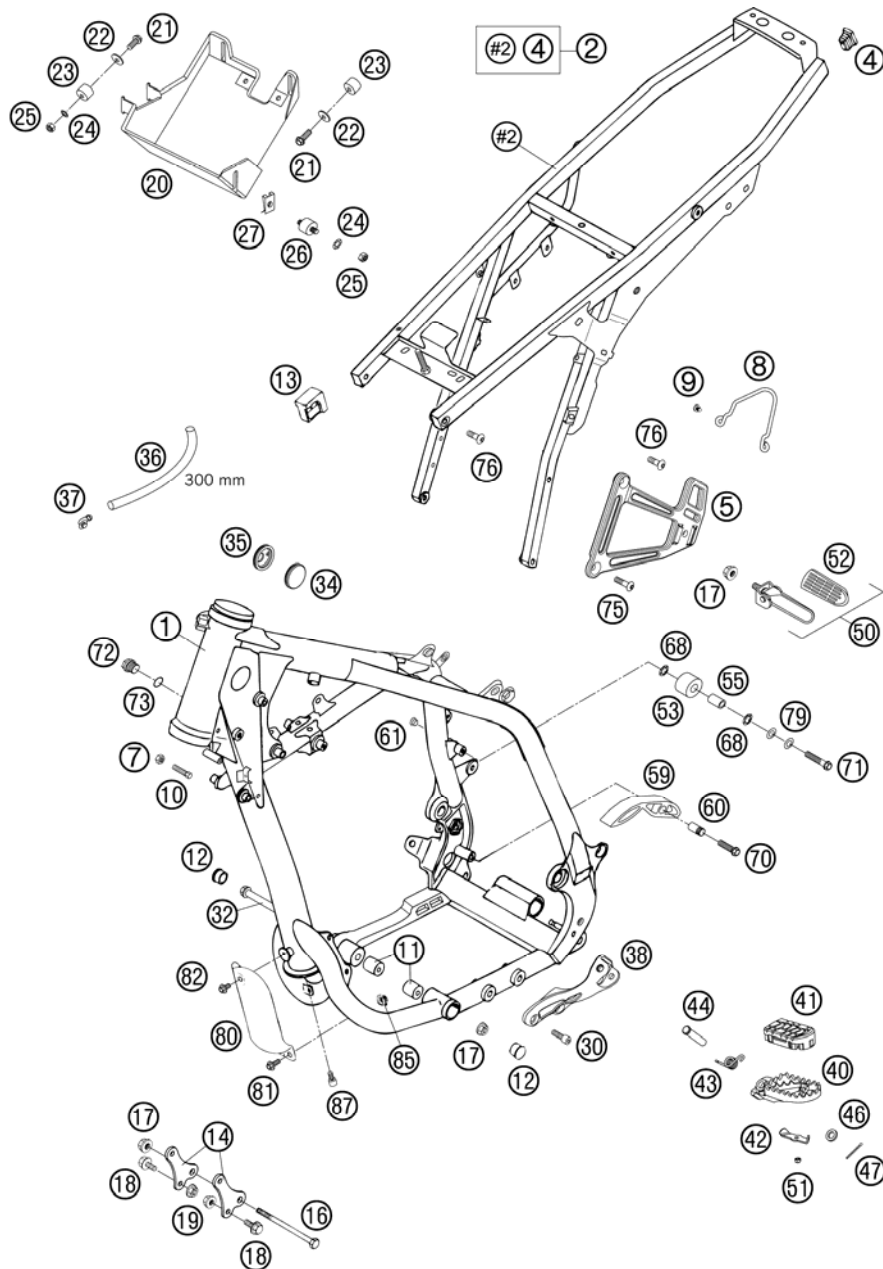


FIG	PART NUMBER	DESCRIPTION	QTY
42	60003044010	CLOSING PANEL FRONT L/S R/S 03	2
43	54603041000	FOOTREST SPRING L/S & R/S	2
44	54803044000	BOLT FOR FOOT PED 03	2
46	0125100003	WASHER DIN0125-A10,5	2
47	0094032253	PIN DIN0094-3,2X25 STEEL	2
50	58303050044	FOOTREST REAR L/S CPL. '95	1
50	58303150044	FOOT REST REAR R/S CPL. '95	1
51	0985050003	SELF LOCKING NUT DIN0985-M 5	2
52	58303051000	FOOTREST RUBBER L/S&R/S DUKE95	2
53	58403060000	CHAIN ROLL 12X29X22,5 '98	1
55	58403060065	BUSH CHAIN ROLL 8X12X23 '98	1
59	51103053000	CHAIN SLIDING PIECE BELOW '97	1
60	51103053051	BUSHING 8,2X10X20	1
61	54403135000	PLASTIC CAP SFL10	1
68	36003014000	LOCK WASHER 8MM	2
70	0015080303	HH COLLAR SCREW M 8X30 WS=10	1
71	0015080453	HH COLLAR SCREW M 8X45 WS=10	1
72	0910160153	PLUG DIN0910-M16X1,5	1
73	0603162220	CU-SEAL RING 16X22X2	1
75	54510052200	AH SCREW 8X29 FL.HEAD 04	2
76	54510052100	SPROCKET SCREW-AH M8X26 WS=6	4
79	0125080003	WASHER DIN0125-A 8,4	2
80	58303010000	COVER OIL FILTER '94	1
81	0014060153	HH COLLAR SCREW M 6X15 WS=8	2
82	0014060103	HH COLLAR SCREW M 6X10 WS=8	1
85	50235033300	SNAP-NUT HOLDER M6 KP142	2
87	0984060103	AH SCREW DIN7984-M 6X10	1

05584030 / C065840300

* NEW PART

X AS REQUIRED

SIDE STAND

640 LC4 ENDURO ORANGE EU 2006

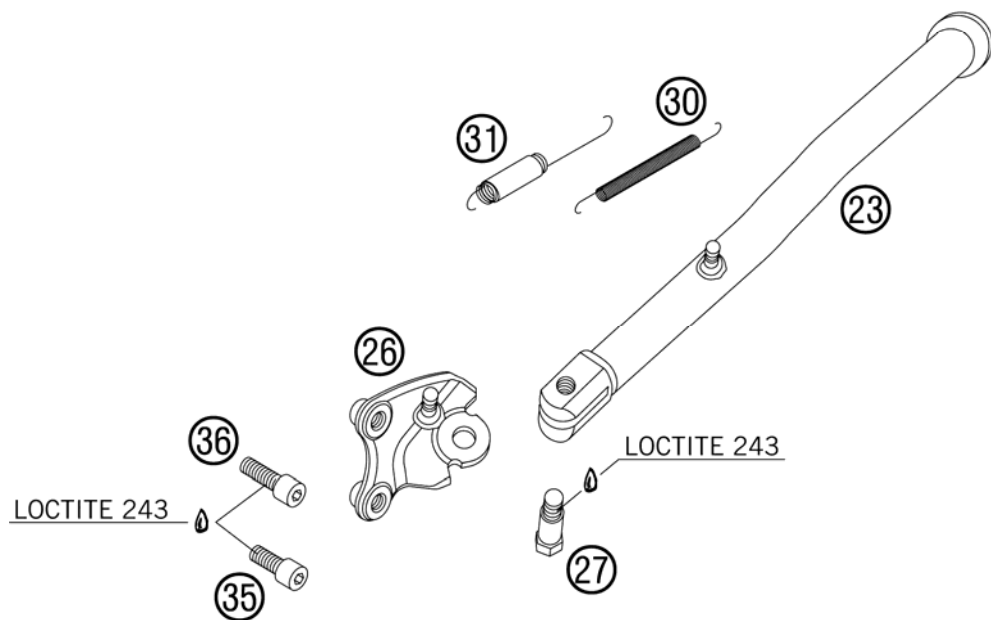
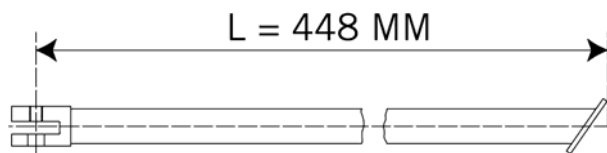


FIG	PART NUMBER	DESCRIPTION	QTY
23	5840302390090	SIDESTAND LC4 03	1
26	58403026600	SIDESTAND BRACKET CPL. 03	1
27	58203027200	SCREW FOR SIDE STAND M10X26,7	1
30	58403030000	SIDE STAND SPRING D=7,7MM '97	1
31	58403030100	SIDE ST.SPRING LO. W.RUBBER 03	1
35	0912100256	AH SCREW DIN0912-M10X25 10.9	1
36	0912100303	AH SCREW DIN0912-M10X30	1

065830301 / C065840301

* NEW PART

X AS REQUIRED

SWINGARM, CHAIN GUARD

640 LC4 ENDURO ORANGE EU 2006

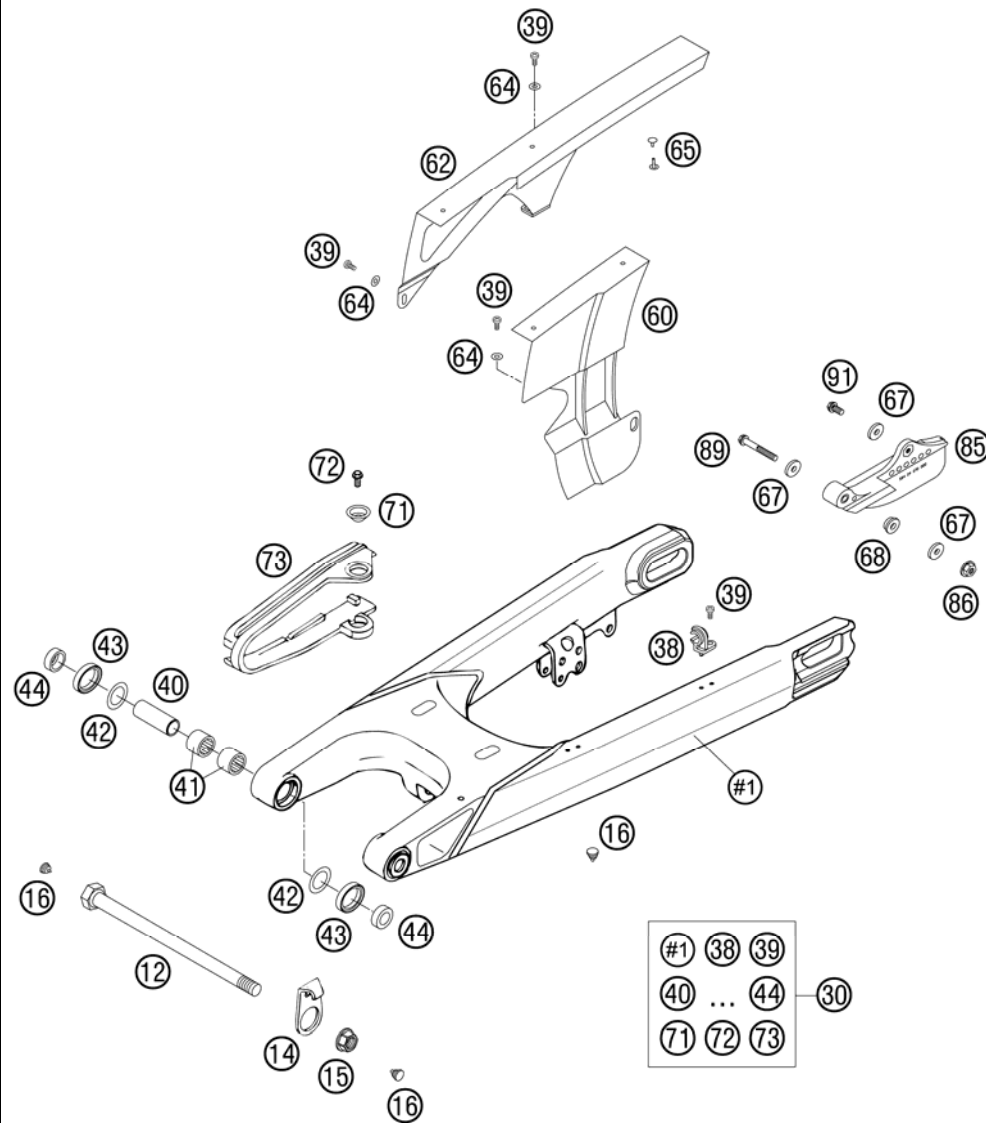


FIG	PART NUMBER	DESCRIPTION	QTY
12	54603014100	SWINGARM BOLT KPL. L=253	1
14	50230211000	BRAKE HOSE GUIDE '89	1
15	54603015000	SELF LOCKING NUT M14X1,5 WS=19	1
16	54403135000	PLASTIC CAP SFL10	x
30	58404030344	SWINGARM CPL. LC4 03	1
38	54611076100	RETAIN.CLAMP FOR BRAKE HOSE'96	2
39*	0009050103	SPECIAL SCREW M 5,0X10	5
40	50203081700	BUSHING SLEEVE 15X20X38,75	2
41	59004031000	NEEDLE BUSH HK2012V	4
42	59004033100	WASHER 20X32X0,8	2
43	0760253270	SHAFT SEAL RING 25X32X7	4
44	54603090000	BUCKET F.SHAFTSEALRING 15X25X9	4
60	58307060000	CHAINGUARD SMALL '96	1
62	58307060250	CHAINGUARD LARGE 03	1
64	0021050003	WASHER DIN9021-A 5,3	3
65	20012062055	HOLLOW RIVET TWO PARTS	2
67	50232050003	STEEL WASHER 6,2X18X2 DACROMET	3
68	58404060150	COLLARED BUSH 6,2X10X20X6 03	1
71	72210079000	BUCKET	2
72	0015060103	HH COLLAR SCREW M 6X10 WS=8	2
73	58307073000	CHAIN SLIDING GUARD DUKE'94	1
85	58404070000	CHAIN GUIDE CPL. REAR LC4 '98	1
86	56509064100	SELF LOCKING NUT M6 10.9	1
89	0015060553	HH COLLAR SCREW M 6X55 WS=8	1
91	0015060163	HH COLLAR SCREW M 6X16 WS=8	1

05583041 / C065840400

* NEW PART

X AS REQUIRED

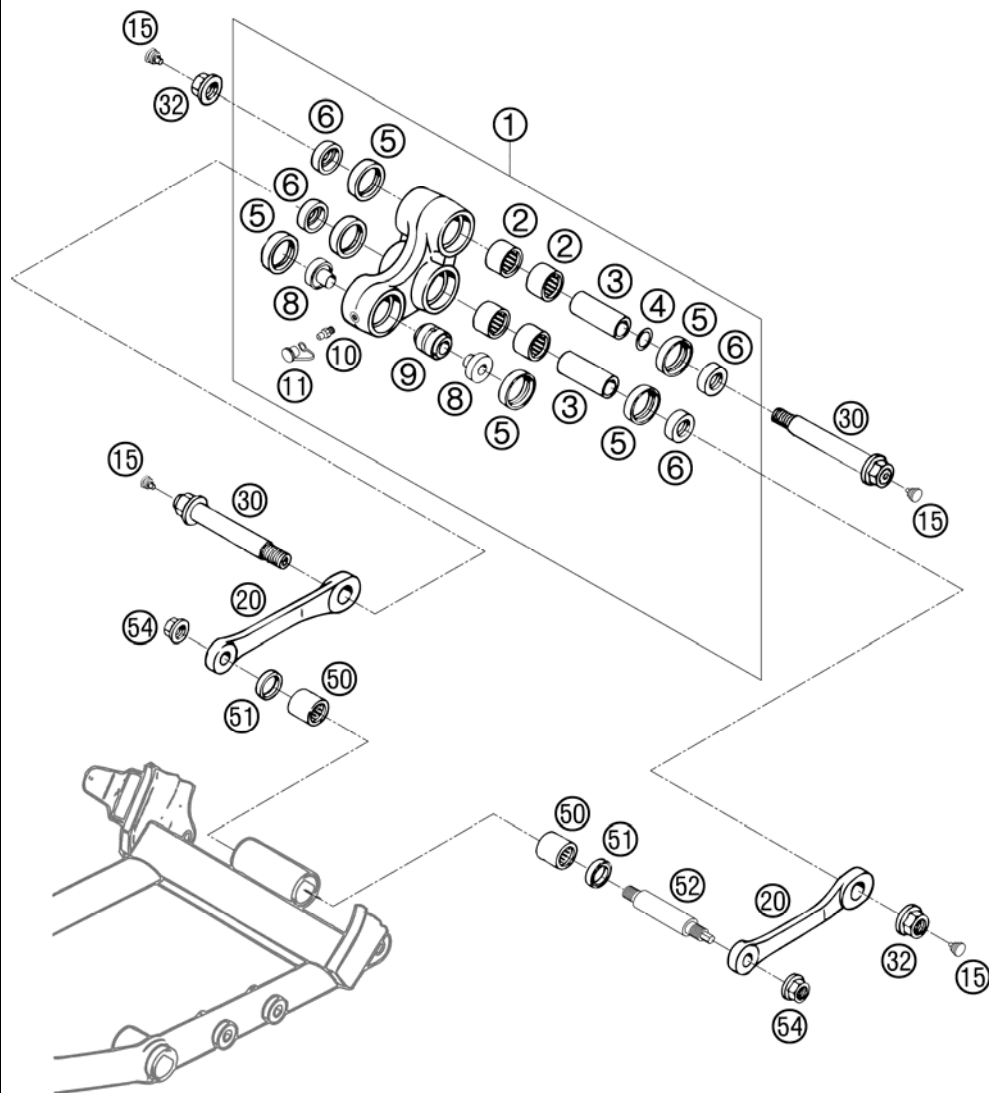


FIG	PART NUMBER	DESCRIPTION	QTY
1	58303080244	ROCKER ARM CPL. FORGED LC4 '99	1
2	54603097000	NEEDLE BUSH HK 2016	4
3	54603081000	BUSHING SLEEVE 15 X 20 X 48	2
4	54603090010	STEEL WASHER 15,2X19X0,1	x
4	54603090020	STEEL WASHER 15,2X19X0,2	x
4	54603090030	STEEL WASHER 15,2X19X0,3	x
5	0760253270	SHAFT SEAL RING 25X32X7	6
5	58303090000	SPAC.F.SHAFT SEALRING 15X25X11	4
8	58303085100	BUSHING FOR BEARING LINK '95	2
9	54203083050	LINK BEARING 12X25X22(16-1061)	1
10	72003035000	GREASE FITTING M6 STRAIGHT	1
11	53003099000	CAP WITH LOOP RED	1
15	54403135000	PLASTIC CAP SFL10	4
20	58303083000	LINKAGE ARM L=127MM '93	2
30	54603182044	BOLT CPL. 15X98MM / M14X1,5	2
32	54603015000	SELF LOCKING NUT M14X1,5 WS=19	2
50	56503195100	NEEDLE BEARING HK 1816	2
51	0760182442	SHAFT SEAL RING 18X24X4	2
52	58303084100	BUSHING BOLT CONNECTING BAR'96	1
54	49103415000	SELF LOCK. NUT M12X1,75 WS=19	2

05583040 / C065840401

* NEW PART

X AS REQUIRED

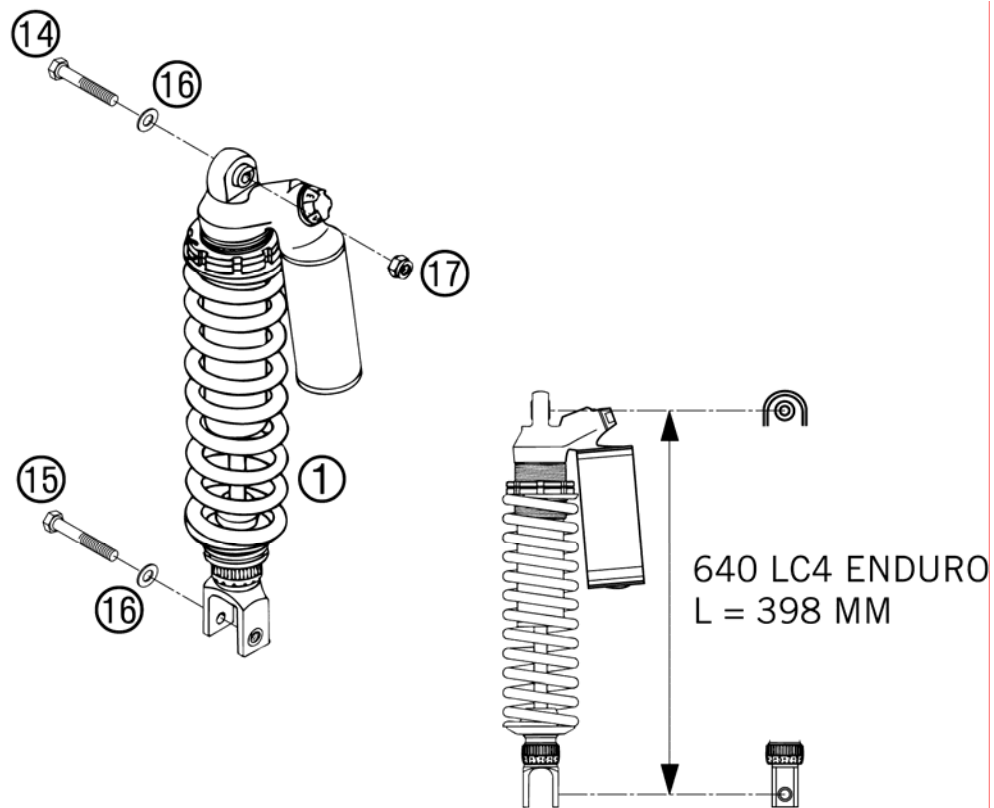


FIG	PART NUMBER	DESCRIPTION	QTY
1*	01187B03	MONOSHOCK 4681 BAVP LC4 END.06	1
14	56503086000	SPECIAL SCREW M10X47 WS=17	1
15	56503093000	SPECIAL SCREW M10X55 WS=17	1
16	0125100003	WASHER DIN0125-A10,5	2
17	54310086100	SELF LOCKING NUT M10 CU WS=14	1

065840402 / C065840402

* NEW PART

X AS REQUIRED

MONOSHOCK DISASSEMBLED

640 LC4 ENDURO ORANGE EU 2006

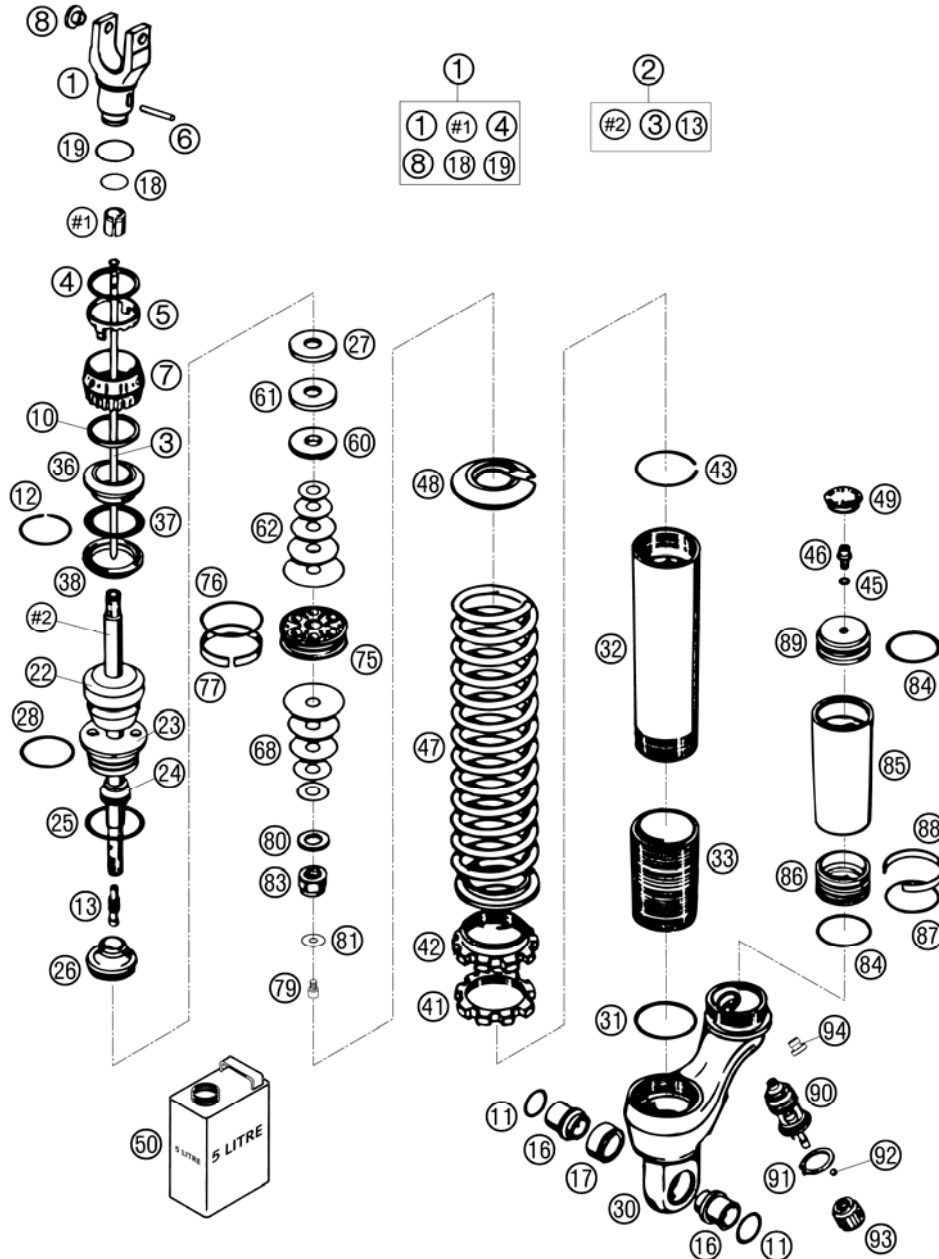


FIG	PART NUMBER	DESCRIPTION	QTY
1*	46811558S	SHOCK ABS. BOTTOM-FORK L75B	1
2*	46811560S2	PISTON ROD D=14 BA M14X1	1
3	46811545S	NEEDLE CPL. D=4 BA, L=183	1
4	46811222	O-RING 36X0,5	1
5	46811263	WASHER	1
6	46811261	PIN 4X35	1
7	46811262	ADJ. KNOB D=41	1
8	46811205	ADAPTOR-BUSH M10x1,50, D=15	1
10	46811221	O-RING 35X3	1
11	46811050	SEAL KGW	2
12	46811268	CIRCLIP 22X1,2	1
13	46811259	NEEDLE SEAT 5X17,25	1
16	46811078	ADAPTOR KGW 10X24	2
17	46811027	BUSHING KGW 1525	1
18	46811499	O-RING NBR 21X2	1
19	46811500	O-RING NBR 32X1,5	1
22	46810365	BUMP RUBBER WP55 WHITE	1
23	46811045	SCREW CAP M47,4, H=22,5	1
24	46811044	DUST SEAL 1424	1
25	46810325	O-RING 35X5	1
26	46811540S1	ADAPTER CPL. D=46, H=23 BA	1
27	46811004	SPACER 14X35X5	1
28	46811042	O-RING 40,00X2,00 WP	1
30	46811481	SHOCK ABSORB. TOP H-35/79 84	1
31	46810016	O-RING NBR 48X2	1
32	46810092	TUBE L=175	1
33	46810346	THREADED BUSH L=60 BLACK	1
36	46811561	BUSHING RING D=55X19	1
37	46811512	O-RING NBR 32X8	1
38	46811511	SUPPORT RING D=55X7,5	1
41	46810109	COUNTERNUT	1
42	46810108	ADJUSTING NUT	1
43	46810010	CIRCLIP 49X1,5	1
45	46810893	O-RING NBR 5,28X1,78	1
46	36120151	SCREW PLUG M5X6	1
47	91010252	SPRING 63-260 59	x

065840403 / C065840403

* NEW PART

X AS REQUIRED

MONOSHOCK DISASSEMBLED

640 LC4 ENDURO ORANGE EU 2006

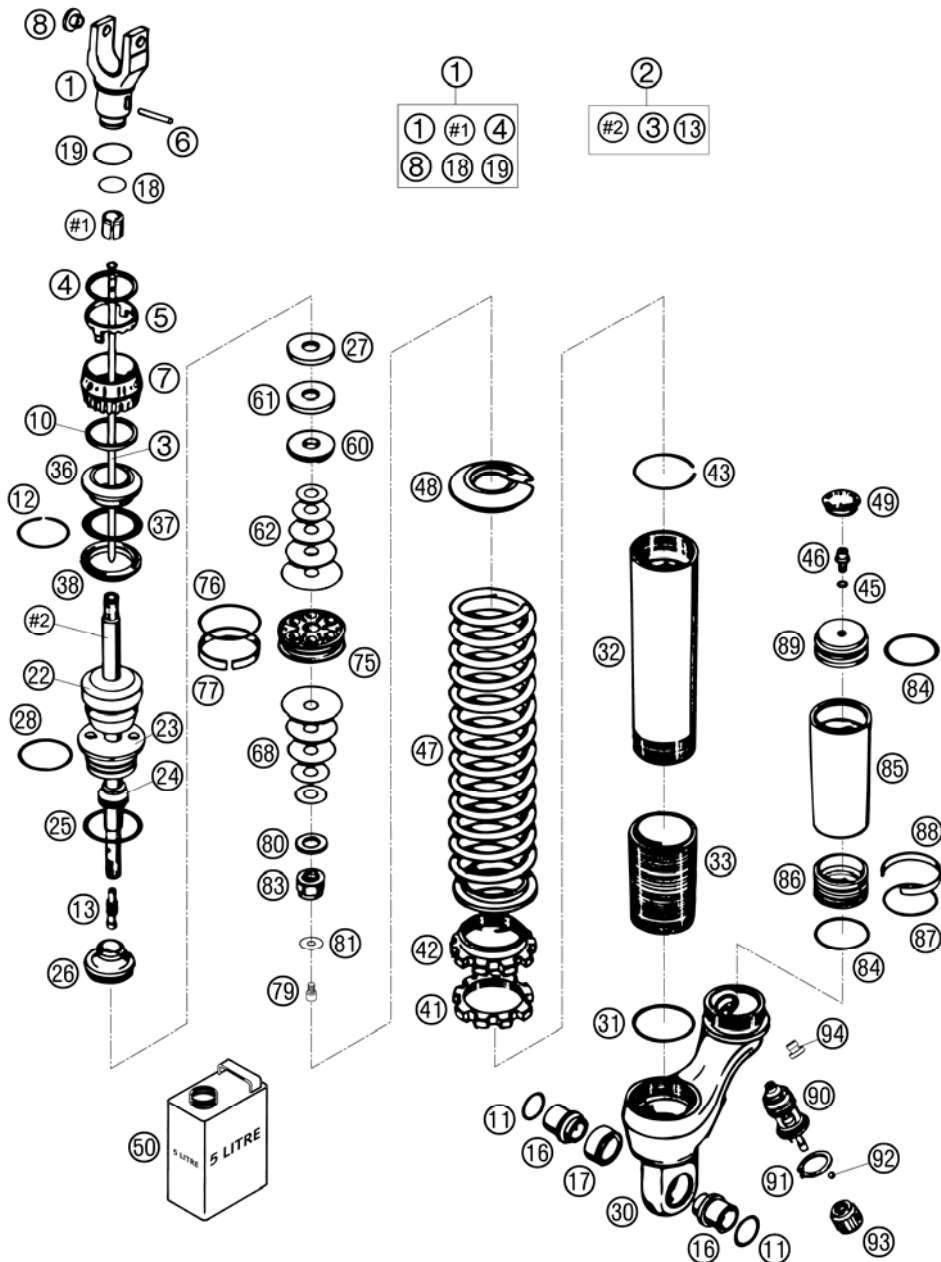


FIG	PART NUMBER	DESCRIPTION	QTY
47	91010110	SPRING 70-260 (59), D=12	x
47	91010253	SPRING 66-260 59	1
48	46810063	SPRING RETAINER D=58,H=13,L=15	1
49	46811208	RUBBER CAP "DO NOT OPEN"	1
50*	50180466S1	SHOCK ABSORBER FLUID 5 LT 05 0,33 LITRE	1
60	46811216	REBOUND BUSH PLANE H=6,5	1
61	46811005	SPACER 35X14X10	1
62	46810491	SHIM 12X26X0,20	x
62	46810492	SHIM 12X28X0,20	x
62	46810493	SHIM 12X30X0,20	x
62	46810498	SHIM 12X40X0,20	x
62	46810507	SHIM 12X40X0,25	x
62	46810521	SHIM 12X32X0,15	x
62	46810522	SHIM 12X34X0,15	x
62	46810523	SHIM 12X36X0,15	x
62	46810524	SHIM 12X38X0,15	x
62	46810606	SHIM 12X22X0,10	x
62	46810610	SHIM 12X27X0,15	x
68	46810491	SHIM 12X26X0,20	x
68	46810492	SHIM 12X28X0,20	x
68	46810493	SHIM 12X30X0,20	x
68	46810494	SHIM 12X32X0,20	x
68	46810520	SHIM 12X30X0,15	x
68	46810521	SHIM 12X32X0,15	x
68	46810607	SHIM 12X23X0,10	x
68	46810641	BACKPLATE 12X21X0,30	x
75	46811218	PISTON 6+6XD=7 BA	1
76	46810035	O-RING VITON 37,82X1,78	1
77	46811206	PISTON RING 8X46	1
79	46180056	BLEED SCREW M6	1
80	46811258	RING 12X24X2,5	1
81	40540403	SHIM 6X18X0,1	1
83	46180060	PISTON ROD NUT CPL. M12X1	1
84	46810340	O-RING NBR 45X2	2
85	46811453	RESERVOIR SCREW L=123 GREY	1

065840403 / C065840403

* NEW PART

X AS REQUIRED

MONOSHOCK DISASSEMBLED

640 LC4 ENDURO ORANGE EU 2006

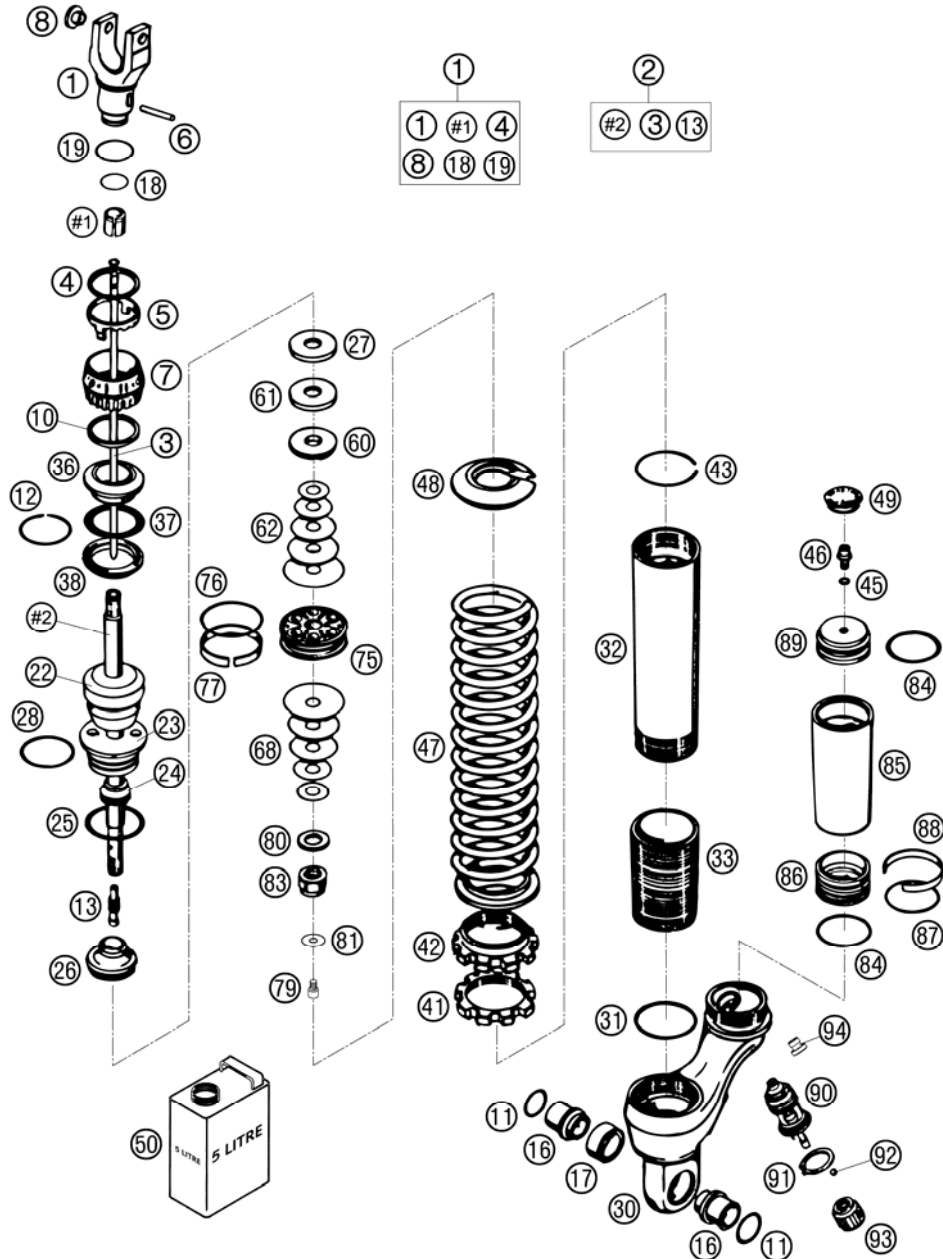


FIG	PART NUMBER	DESCRIPTION	QTY
86	46810322	SEPARATION PISTON D=46	1
87	46811043	O-RING VITON 35X5	1
88	46810324	PISTON RING 3,9X1,5X138	1
89	46811209	RESERVOIR CAP D=46	1
90	46811539S	CC-COMPRES.DAMPING CONTROL CPL.	1
91	46810334	LOCK WASHER JV24	1
92	46810333	STEEL-BALL D=4,75	1
93	46811272S	ADJUSTING KNOB CC-MECH. CPL.	1
94	50180095	BLEED PLUG R 1/8	1

065840403 / C065840403

* NEW PART

X AS REQUIRED

EXHAUST PIPES

640 LC4 ENDURO ORANGE EU 2006

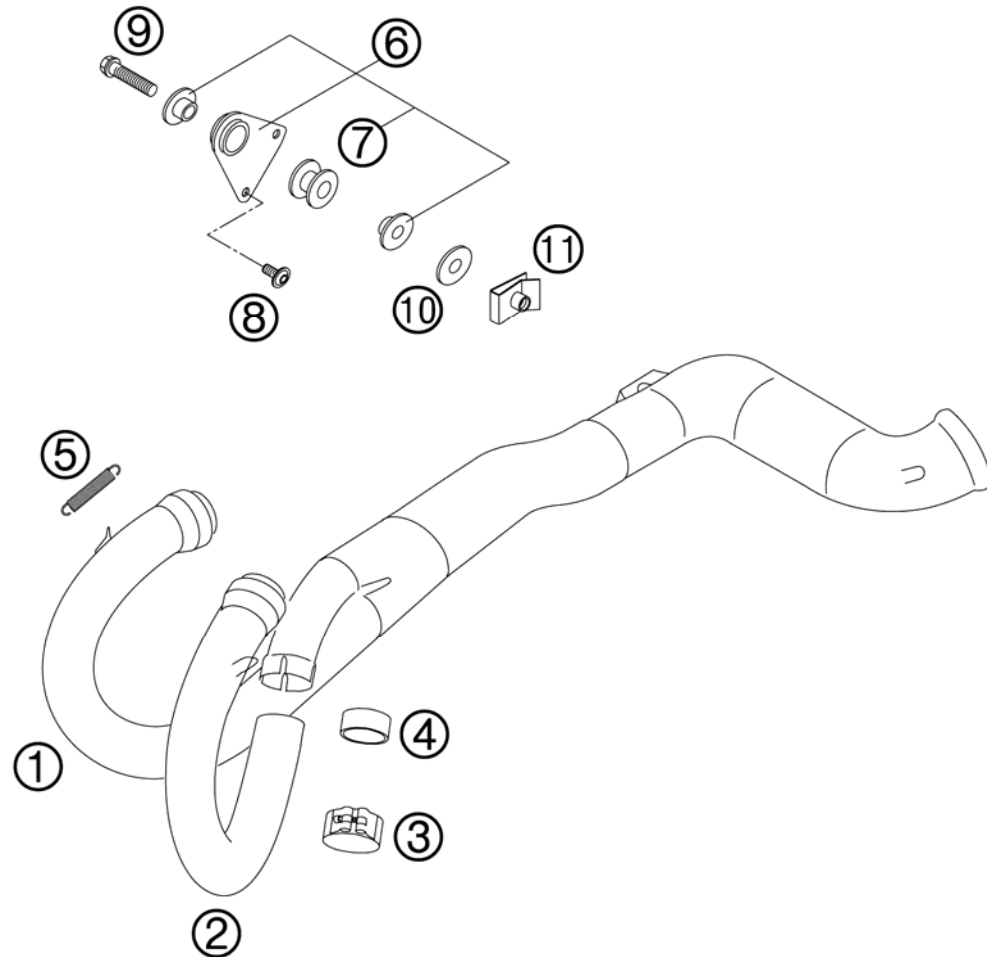


FIG	PART NUMBER	DESCRIPTION	QTY
1	58405008500	EXHAUST PIPE R/S 03	1
2	58405007400	EXHAUST PIPE L/S 03	1
3	58405058100	COLLECTOR CLAMP D=41MM 03	1
4	58405005100	GRAPHIT RING 34X39X20MM 03	1
5	50305016000	TEN.SPRING L=62MM EY.MOVEABLE	4
6	5830506504490	BRACKET-PRE-SIL.CPL SILVER '99	1
7	54305068100	DAMP. COMPONENT SILICONE GREY	1
8	0738060181	COU.SUNK SCR. AH ISO7380 M6X18	2
9	0015080353	HH COLLAR SCREW M 8X35 WS=10	1
10	51005067000	INSOLATE WASHER 8,5X28X3	1
11	54603048000	RANGE CHANGE METAL NUT M8	1

05583050 / C065840500

* NEW PART

X AS REQUIRED

EXHAUST SILENCER

640 LC4 ENDURO ORANGE EU 2006

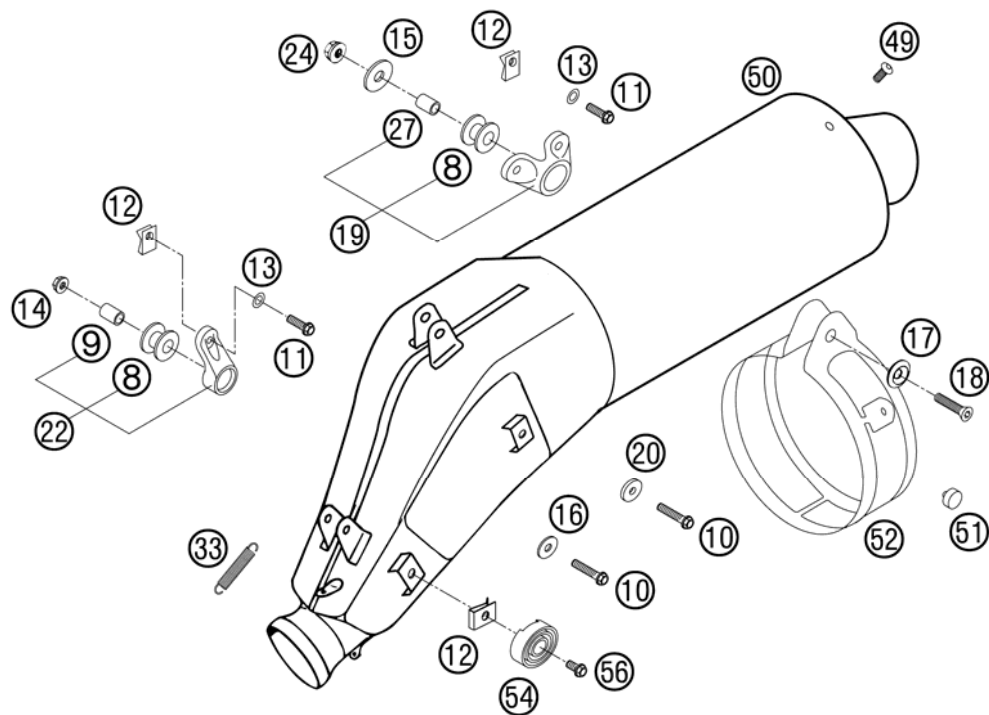


FIG	PART NUMBER	DESCRIPTION	QTY
8	54305068100	DAMP. COMPONENT SILICONE GREY	3
9	54305069000	BUSHING 7X12X15,4	2
10	0015060303	HH COLLAR SCREW M 6X30 WS=8	2
11	0015060203	HH COLLAR SCREW M 6X20 WS=8	4
12	54603048100	RANGE CHANGE METAL NUT M6	6
13	0137060003	SPRING WASHER DIN0137-B 6	4
14	56509064100	SELF LOCKING NUT M6 10.9	2
15	0021080003	WASHER DIN9021-A 8,4	1
16	0021060003	WASHER DIN9021-A 6,4	1
17	58303061000	SPECIAL WASHER ALU 8 X 24 MM	1
18	0991080353	FLAT HEAD SCREW DIN7991-M 8X35	1
19	58405085044	SILENCER BRACKET CPL. 2001	1
20	50232050001	STEEL WASHER 6,4X17X3	1
22	58305165244	SILENCER BRACKET CPL. SHORT'96	2
24	54310086200	SELF LOCKING NUT M8 10.9	1
27	56505069000	SPACER BUSHING 8,4X12X16	1
33	50305016000	TEN.SPRING L=62MM EY.MOVEABLE	2
49	0902060083	AH OVAL SCREW ISO 7380 M 6X8	3
50	58405083300	SILENCER HGS-4 04	1
51	54308042000	RUBBER BUFFER	1
52	58405161100	RETAIN CLAMP F.HGS4-SILENC. 04	1
54	58405098100	RUBBERBUFFER F. SILENCER 2000	2
56	0015060123	HH COLLAR SCREW M 6X12 WS=8	2

05584051 / C065840501

* NEW PART

X AS REQUIRED

AIR FILTER BOX

640 LC4 ENDURO ORANGE EU 2006

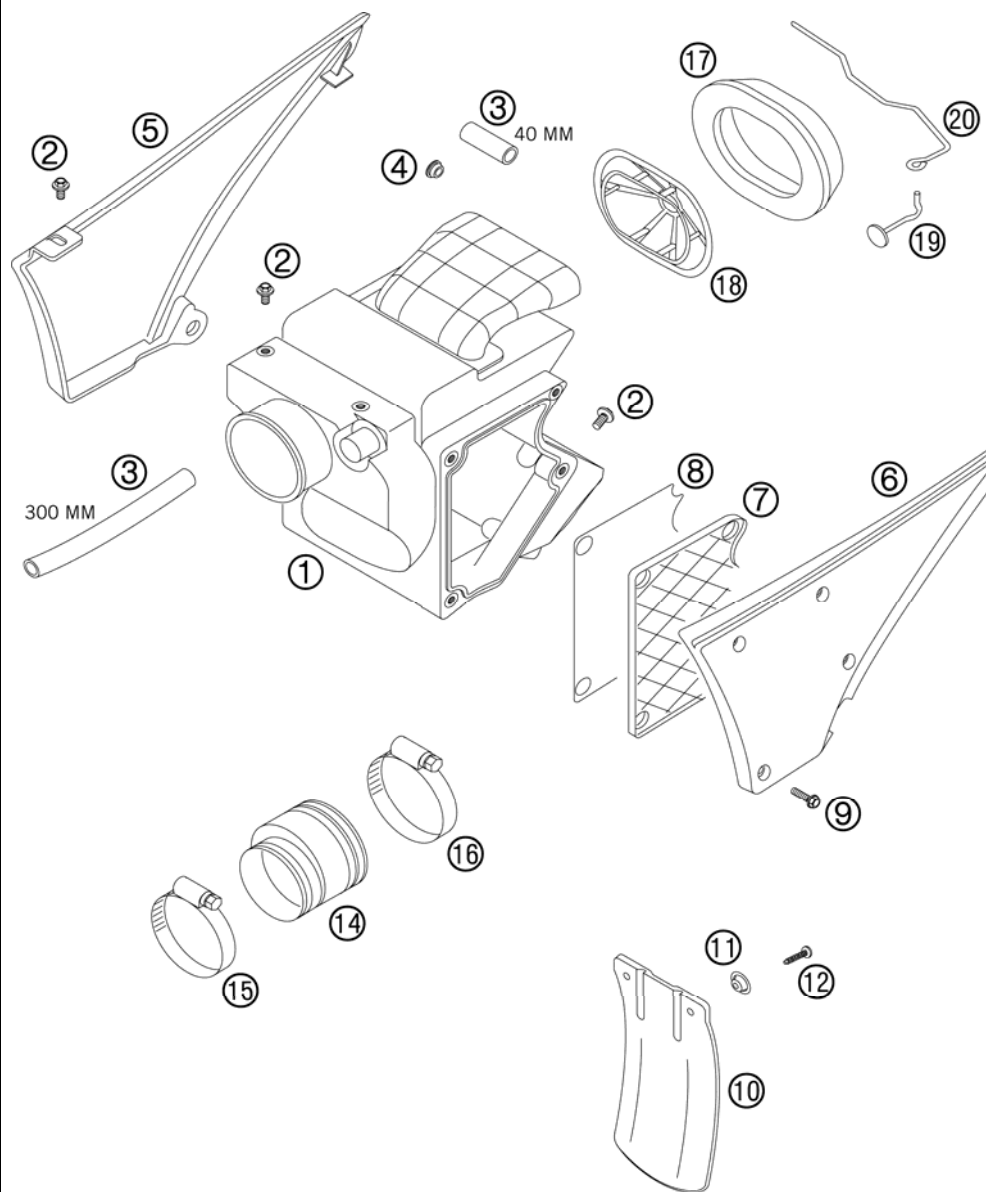


FIG	PART NUMBER	DESCRIPTION	QTY
1	58406001200	FILTER BOX E-START 03	1
2	0014060103	HH COLLAR SCREW M 6X10 WS=8	5
3	57005020001	HOSE 10X14 PER METER	x
4	36111021000	PLUG	1
5	58406004000	FILTER BOX COVER R/S LC4'98	1
6	58406003100	FILTER BOX COVER L/S LC4'98	1
7	58406003150	CARRIER FILTER BOX GASKET '98	1
8	58406090100	GASKET FILTER BOX COVER LC4'98	1
9	0015050203	HH COLLAR SCREW M 5X20 WS=8	4
10	54606010000	SPLASH PROTECT.FOR FILTER BOX	1
11	72210079000	BUCKET	2
12	0017060203	EJOT PT SCREW K60X20 WS=6	2
14	58406026000	AIR FILTER BOOT 400/640 LC4'97	1
15	51006027000	HOSE CLAMP 50-70MM	1
16	55006028000	HOSE CLAMP 60-80MM	1
17	58406015100	AIRFILTER	1
18	58406016000	FILTER CARRIER '97	1
19	58406017050	HOOK F.HOLDING HANG.FILTER '97	1
20	58406017100	HOLDING HANGER FOR FILTER '98	1

05584060 / C065840600

* NEW PART

X AS REQUIRED

TANK, SEAT, COVER

640 LC4 ENDURO ORANGE EU 2006

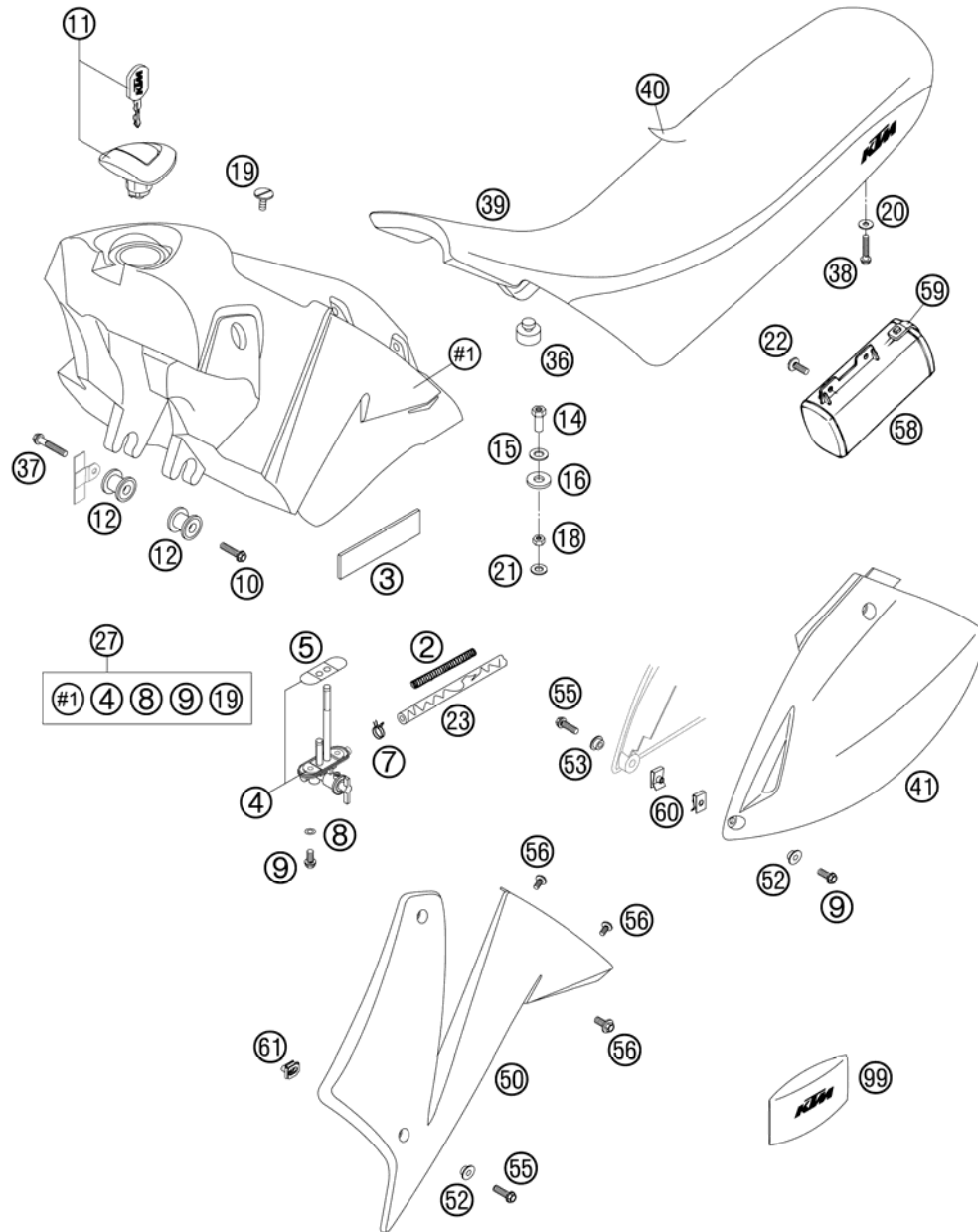


FIG	PART NUMBER	DESCRIPTION	QTY
2	58036006100	PRESSURE SPRING 0,9MM	1
3	54601097000	RUBBER STRIP 85X25X3 MM	4
4	51107004000	FUEL COCK CPL.MIKUNI CK-69 '96	1
5	58307106100	GASKET FUEL COCK MIKUNI	1
7	58031005000	CLAMP YDNAC 10128 12MM	2
8	0603061001	CU-SEAL RING DIN7603-6X10X1	2
9	0015060163	HH COLLAR SCREW M 6X16 WS=8	3
10	0015060253	HH COLLAR SCREW M 6X25 WS=8	1
11	58407008100	TANK PLUG LC4 USA '99	1
12	58307113250	TANK BUSHING CPL. 12 X 34 X 25	2
14	58307014000	SPECIAL NUT M8	1
15	31004001100	WASHER 10,5 X 21 X 3	1
16	51005067100	INSULATE WASHER 12X28X3	1
18	0934080003	HEXAGON NUT DIN0934-M 8	1
19	58407011100	SCREW FOR SEAT M6X11,5/8	1
20	50232050000	WASHER 6,2X18X2	1
21	0125080003	WASHER DIN0125-A 8,4	1
22	0014060153	HH COLLAR SCREW M 6X15 WS=8	2
23	54435024001	HOSE ID 7,5 PER METER	x
27	58407013300	FUEL TANK 11LI.CPL.LC4 BLACK	1
36	58407040060	PLUG FOR SEAT	1
37	0015060303	HH COLLAR SCREW M 6X30 WS=8	1
38	0015060353	HH COLLAR SCREW M 6X35 WS=8	1
39	58407040800	SEAT STANDARD 2000	1
40	58407040850	SEAT COVER 2000	1
41	5840804100004	SIDE COVER L/S ORANGE LC4'99	1
41	5840804210004	SIDE COVER R/S ORANGE LC4'99	1
50	5840805000004	SPOILER L/S ORANGE LC4 '98	1
50	5840805100004	SPOILER R/S ORANGE LC4 '98	1
52	50308052000	BUSH FOR SPOILER 6X11X16X5 MM	3
53	50308053000	BUSH FOR SPOILER 6X11X16X7,5	1
55	0015060203	HH COLLAR SCREW M 6X20 WS=8	3
56	0014060133	HH COLLAR SCREW M 6X13 WS=8	6
58	58012058000	TOOL BOX CPL. '92	1
59	58012058050	RUBBER FOR TOOL BOX '92	1
60	54603048100	RANGE CHANGE METAL NUT M6	2

05584070 / C065840700

* NEW PART

X AS REQUIRED

TANK, SEAT, COVER

640 LC4 ENDURO ORANGE EU 2006

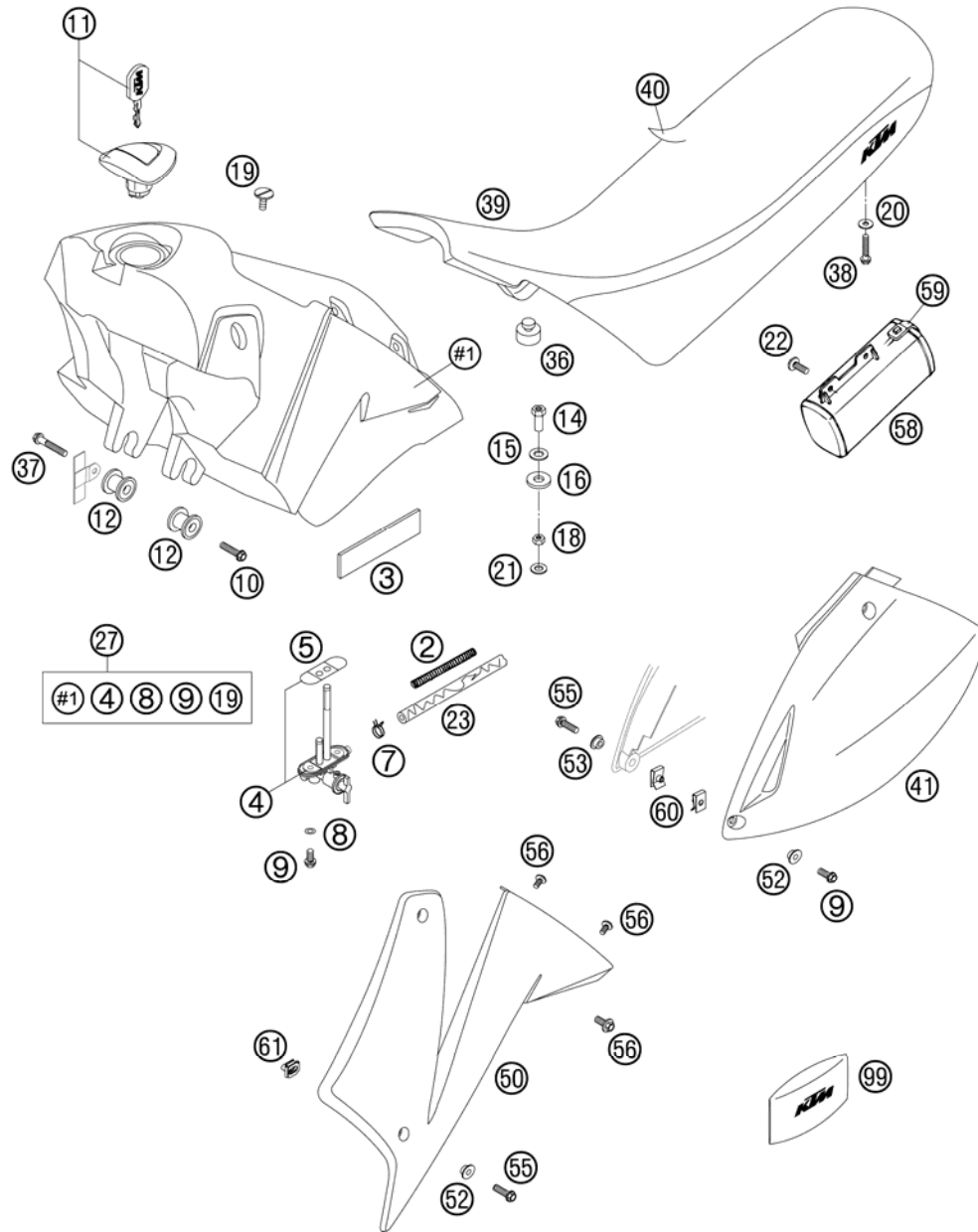


FIG	PART NUMBER	DESCRIPTION	QTY
61	50235033300	SNAP-NUT HOLDER M6 KP142	2
99	58329099000	ORIGINAL EQUIPMENT TOOL KIT	1

05584070 / C065840700

* NEW PART

X AS REQUIRED

MASK, FENDERS

640 LC4 ENDURO ORANGE EU 2006

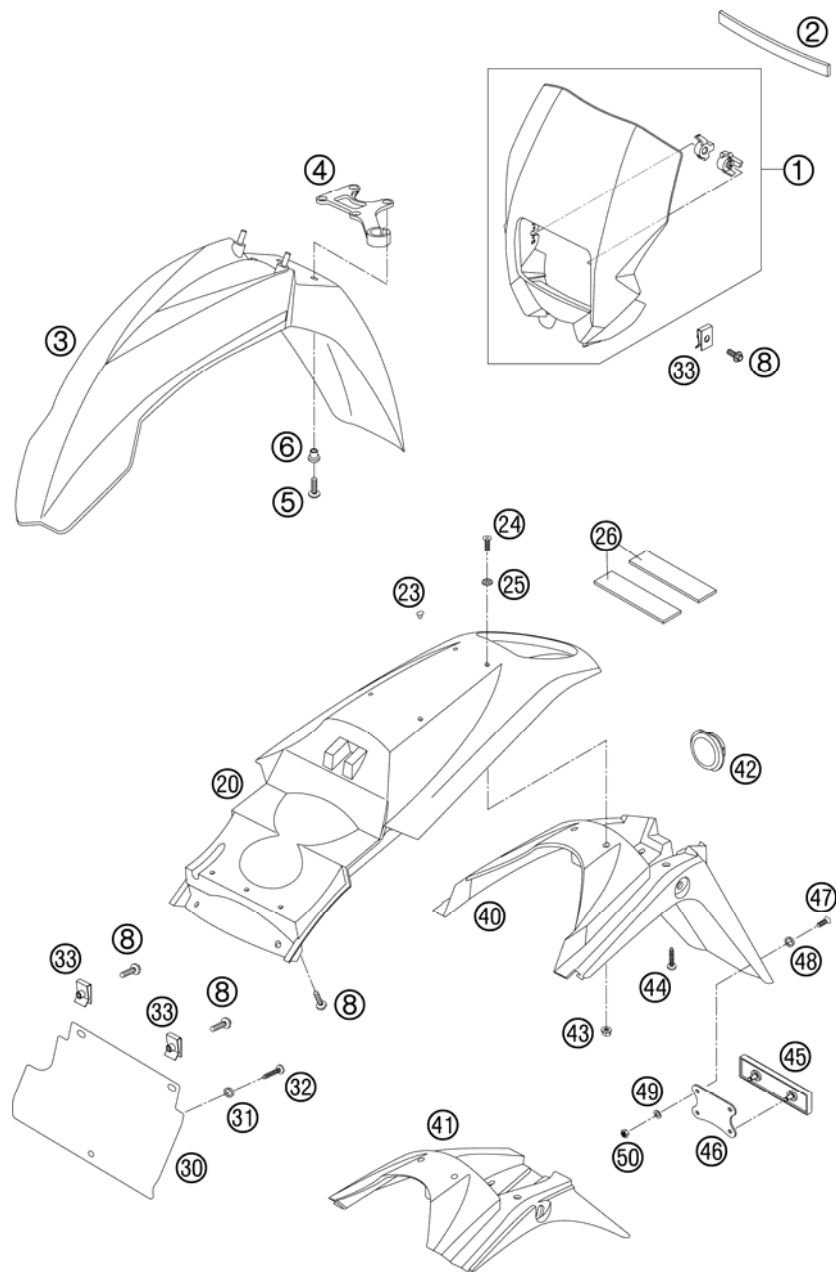


FIG	PART NUMBER	DESCRIPTION	QTY
1	58408001100	HEAD LIGHT MASK ORANGE LC4 03	1
2	58211001063	FOAM 4X9MM PER METER	x
3	5030801030004	FENDER FRONT WIDE ORANGE 03	1
4	59008019000	BRAKE HOSE GUIDE 2000	1
5	0014060203	HH COLLAR SCREW M 6X20 WS=8	4
6	58408009050	SPACER BUSHING FRONT FENDER	4
8	0014060153	HH COLLAR SCREW M 6X15 WS=8	6
20	5840801410004	FENDER REAR ORANGE LC4 01	1
23	5840801200004	PLUG REAR FENDER ORANGE 01	x
24	0991060203	FLAT H.SCREW DIN7991-M6X20 8.8	2
25	58308045000	SPECIAL WASHER 7X12,5X20 BLACK	2
26	54601097000	RUBBER STRIP 85X25X3 MM	2
30	58308013250	FENDER EXTENSION LC4-E '97	1
31	40006006000	WASHER 6MM	1
32	0017050181	SCREW FOR PLASTIC D=5X18	1
33	54603048100	RANGE CHANGE METAL NUT M6	4
40	58408015000	NUMB.PLATE CARRIER BLACK LC4	1
41	58308015100	NUMB.PLATE CARRIER BLACK SC'99	x
42	58414040050	RUBBER FOR FENDER REAR	1
43	56509064100	SELF LOCKING NUT M6 10.9	2
44	0017060203	EJOT PT SCREW K60X20 WS=6	2
45	58412080000	REFLECTOR RED LC4 '98	1
46	58412080050	BRACKET FOR REFLECTOR	1
47	0966050163	OVAL HEAD SCREW DIN0966-M 5X16	2
48	40006006000	WASHER 6MM	2
49	0125050003	WASHER DIN0125-A 5,3	2
50	0985050003	SELF LOCKING NUT DIN0985-M 5	2

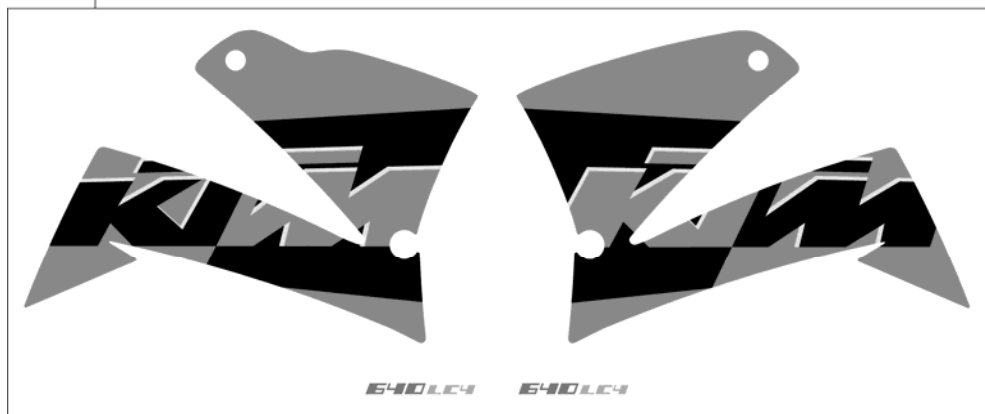
05584080 / C065840800

* NEW PART

X AS REQUIRED

FIG	PART NUMBER	DESCRIPTION	QTY
1	58408499100	DECAL SET LC4+LC4-SM ORANGE 05	1

①



05584081 / C065840801

* NEW PART

X AS REQUIRED

FRONT WHEEL

640 LC4 ENDURO ORANGE EU 2006

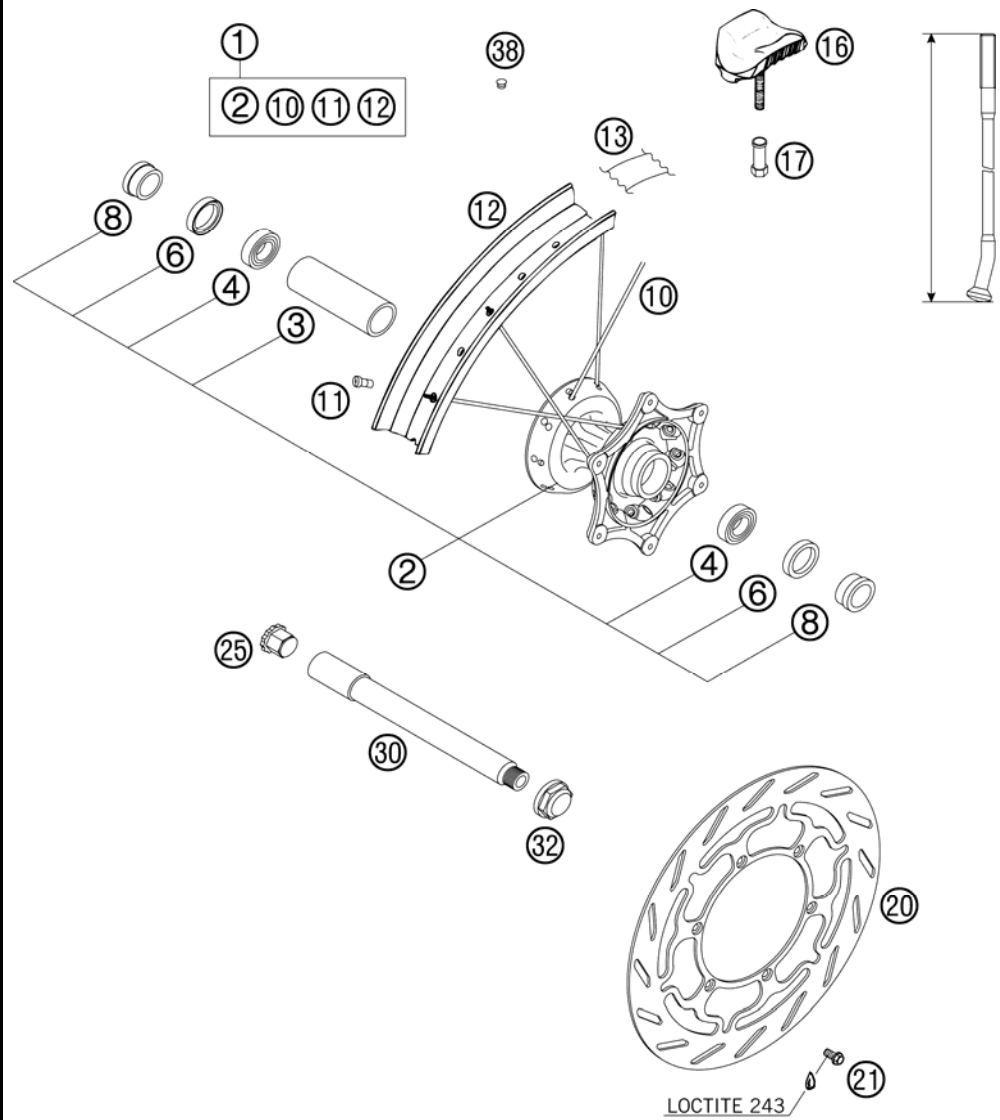


FIG	PART NUMBER	DESCRIPTION	QTY
1*	58409101044	FRONT WHEEL CPL. 1,60X21" 06	1
2*	5480901024491	FRONT HUB CPL. SILVER 06	1
3*	54809011000	BEA.SPACERTUBE 35X2 L=79,4 03	1
4*	0625069068	GR.BALL BEAR.6906 DDU2CG23S6NM	2
6*	0760354771	SHAFT SEAL RING 35X47X7 TC	2
8*	58409012000	SPACER BUSHING FRONT WHEEL 06	2
10*	50309071228	SPOKE M4,5X228-15G 21" DDE	36
11	50309072000	SPOKE NIPPLE M4,5X0,75 8X21	36
12*	54809070000	FRONT RIM 1,6X21" EXCEL AL7	1
13	58409073100	RIM BAND FRONT 2MM 2003	1
16	51009100100	RIM LOCK VM1 (1,60")	x
17	50310090050	NUT FOR WHEEL HOLDER '96	x
20	58309060100	BRAKE DISK FRONT D=300MM '96	1
21	59009062013	SPECIAL SCREW M6X13 WS=8 10.9	6
25	50309081150	HANDLE FOR FRONT AXLE WS=21	1
30	50309081200	WHEEL SP. FRO.USD43 185MM 2001	1
32	50309082100	AXLE NUT FRONT M16X1,5/WS=27	1
38	55003135000	PLUG FOR RIM	1

065840900 / C065840900

* NEW PART

X AS REQUIRED

REAR WHEEL

640 LC4 ENDURO ORANGE EU 2006

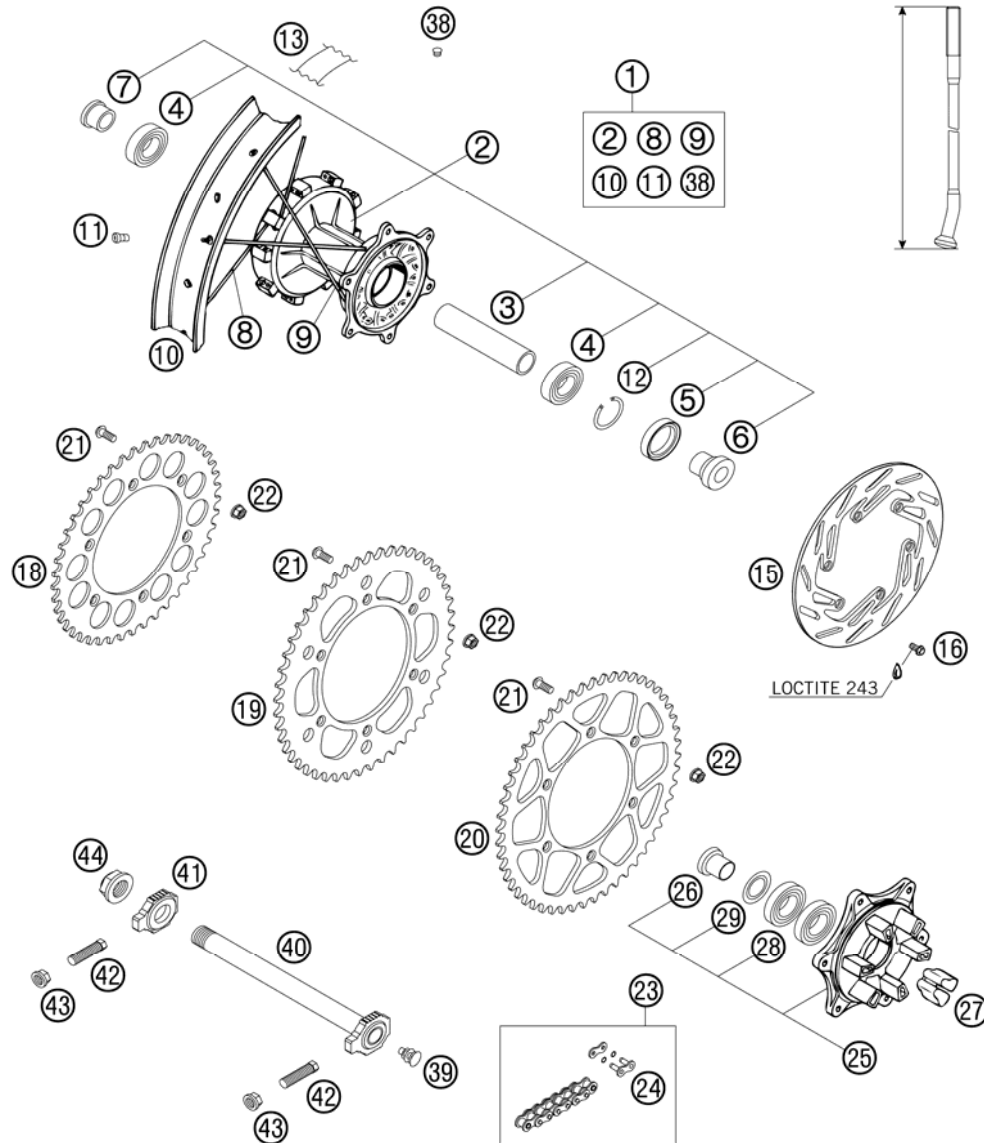


FIG	PART NUMBER	DESCRIPTION	QTY
1*	58410001844	REAR WHEEL CPL. DA. 2,5X18" 06	1
2*	5841001034491	REAR WHEEL HUB DAMPED CPL. 06	1
3	58410011000	BUSHING SPACER TUBE L=98,3MM	1
4	0625062052	GR.BALL BEAR. 6205-2RSHC3HMTF7	2
5	0760325272	SHAFT SEAL RING 32X52X7 B	1
6	58410016000	BUSHING FOR HUB	1
7*	54610416500	BUSHING FOR REAR DAMPED HUB 06	1
8*	50310071214	SPOKE M5X214-16G 18" DDE	18
9*	50310071192	SPOKE M5X192-10G 18" DDE	18
10*	58410070200	REAR RIM 2,50X18 EXCEL AL7 06	1
11	58309072000	SPOKE NIPPLE M5-TA (8X21MM)	36
12	0472052200	CIRCLIP DIN0472-52X2	1
13	58410073200	RIM BAND REAR 2MM 2003	1
15	58010060600	REAR BRAKE DISK 220MM COUNTERS	1
16	59009062013	SPECIAL SCREW M6X13 WS=8 10.9	6
18	58310051038	REAR SPROCKET 38-T	x
18	58310051042	REAR SPROCKET 42-T	1
18	58310151040	REAR SPROCKET 40-T	x
18	58310151045	REAR SPROCKET 45-T	x
19	58310151048	REAR SPROCKET 48-T	x
20	58310151050	REAR SPROCKET 50-T	x
20	58310151052	REAR SPROCKET 52-T	x
21	54510052100	SPROCKET SCREW-AH M8X26 WS=6	6
22	54310086200	SELF LOCKING NUT M8 10.9	6
23	50310800118	CHAIN Z-RING 118 ROLLS 05 REGINA	1
24	50310366000	MASTER LINK FOR 50310800118 REGINA	1
25*	58310050344	SPROCKET SUPPORT CPL. 06	1
26*	58310417200	BUSH. F.SPROCKETSUPPORT 06	1
27	54610459000	DAMPING RUBBER '91	6
28*	0625060058	GR.BALL BEAR.6005 DDU2CG23S6NM	2
29*	58310018000	SEAL WASHER 6005AV 06	1
38	55003135000	PLUG FOR RIM	x
39	50210086000	COVERING CAP SFL16	2
40	50310085044	WHEEL SPINDLE RE. CPL.265MM 00	1

065841000 / C065841000

* NEW PART

X AS REQUIRED

REAR WHEEL

640 LC4 ENDURO ORANGE EU 2006

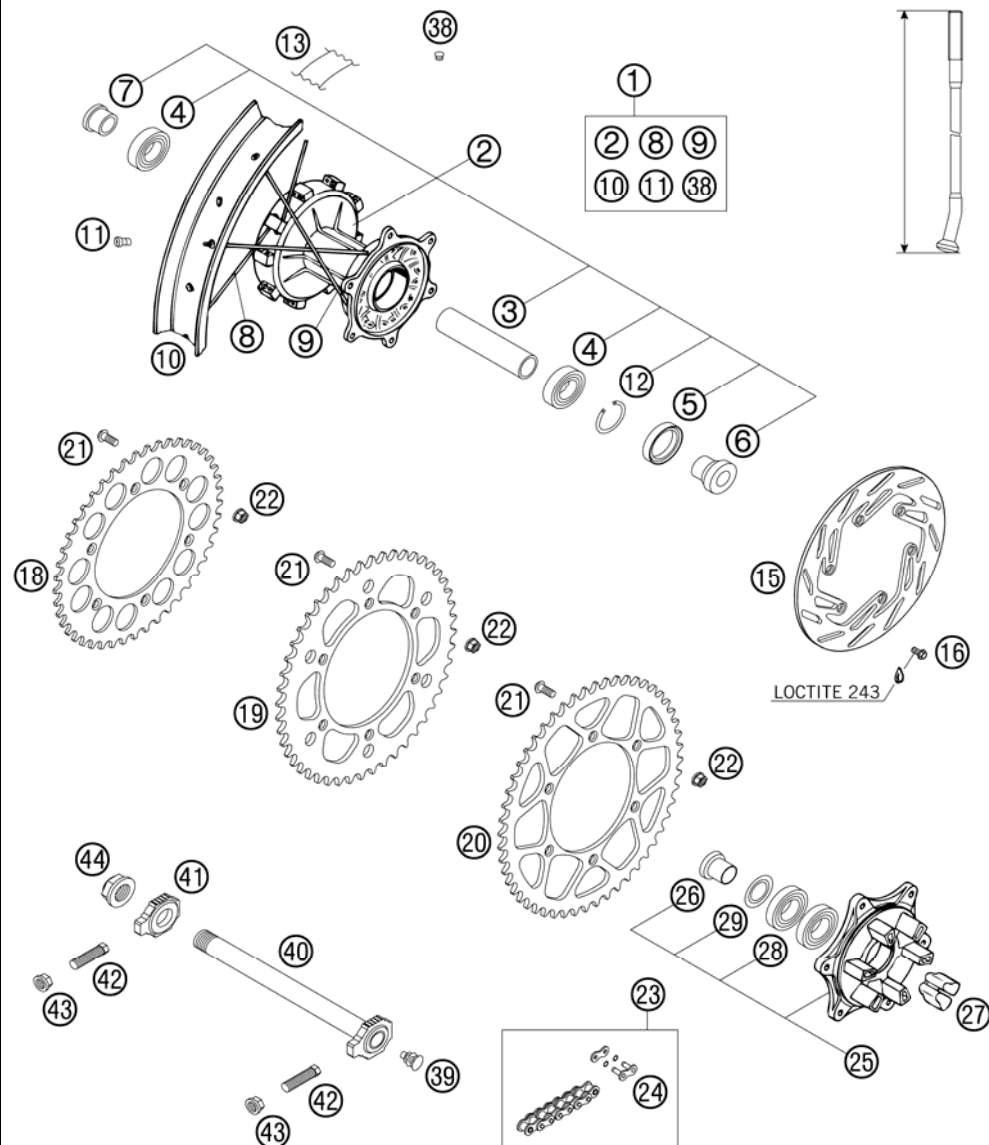


FIG	PART NUMBER	DESCRIPTION	QTY
41	50310084000	CHAIN TENSIONER R/S 2000	1
42*	50304040100	SCREW M10X1,25X50 WS=10	2
43	58414030000	HH COLLAR NUT M10X1,25 WS=13	2
44	50310099000	HEXAGON NUT M20X1,5 '98	1

065841000 / C065841000

* NEW PART

X AS REQUIRED

WIRING HARNESS

640 LC4 ENDURO ORANGE EU 2006

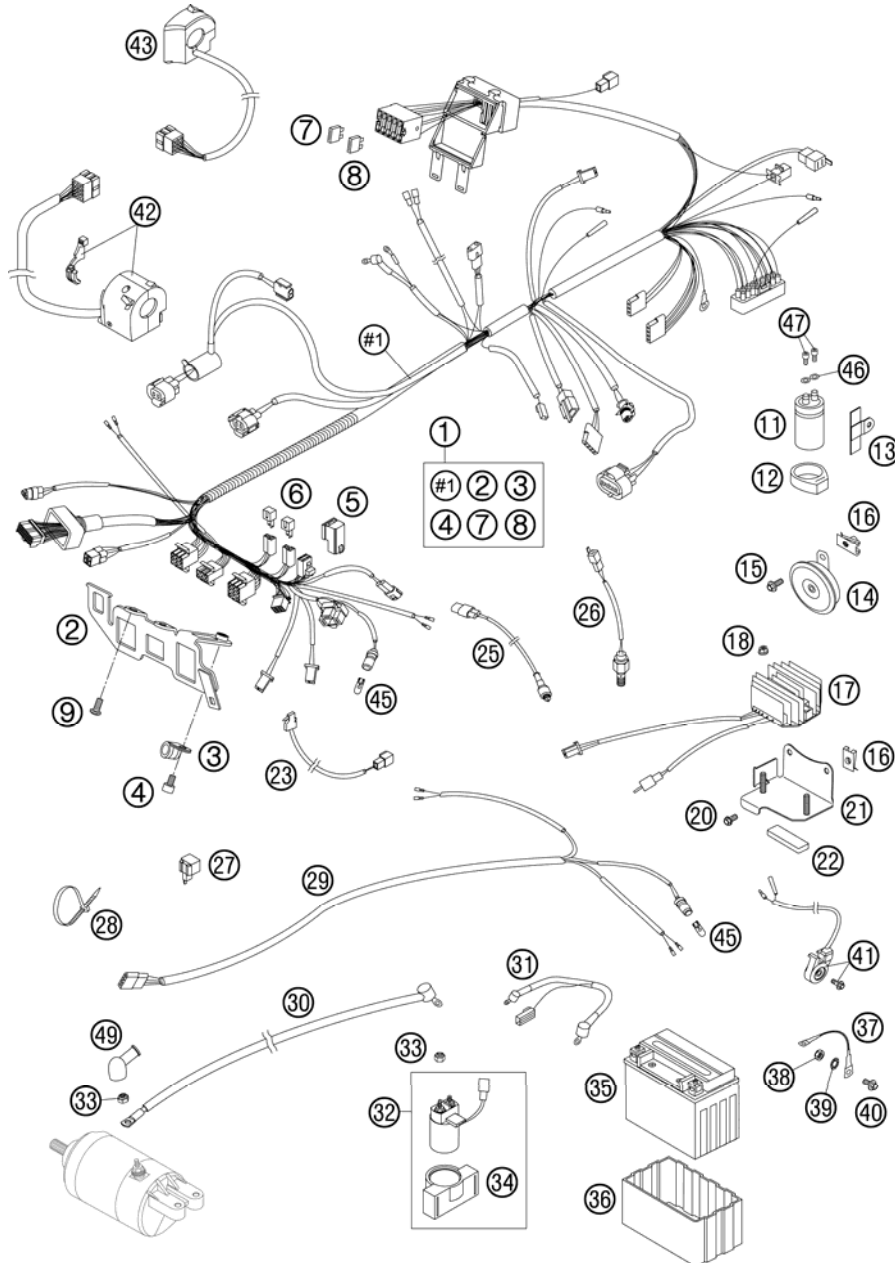


FIG	PART NUMBER	DESCRIPTION	QTY
1	58411175400	WIRING HARNESS LC4	03
2	58411083200	SUPPORT BRACKET LC4	03
3	49007439000	CLAMP RSGU 15/12	1
4	0912050083	AH SCREW DIN 912 M 5X8	1
5	58411057000	STARTER RELAY '96	1
6	58411096100	DIODE S3H-15	97
7	58011109110	FUSE 10 A	2000
8	58011109120	FUSE 20 A	2000
9	0016050121	SCREW FOR PLASTIC D=5X12	2
11	49111435100	CONDENSATOR 25V, 10.000 MF	1
12	54511048000	CAPACITOR BRACKET	2
13	54611448000	BRACKET FOR CAPACITOR	1
14	50311060100	DC HORN L.E.B.	03
15	0014060153	HH COLLAR SCREW M 6X15 WS=8	1
16	54603048100	RANGE CHANGE METAL NUT M6	3
17	58411034100	VOLT.REGULATOR-RECTIFIER 12V	1
18	56509064100	SELF LOCKING NUT M6	10.9
20	0015060103	HH COLLAR SCREW M 6X10 WS=8	2
21	58411055200	BATTERY BRACKET	03
22	58414040051	METAMOLL FOR REARLIGHT	99
23	50311050100	BRAKE LIGHT SWITCH FRONT	2002
25	58411049100	CLUTCH SWITCH	03
26	50311051100	BRAKE LIGHT SWITCH REAR	'98
27	44611207200	FLASHER UNIT	97
28	44011076100	CABLE TIE 100/2,5MM BLACK	x
28	44011076200	CABLE TIE 200/3,6MM BLACK	x
28	44011076305	CABLE TIE 300/4,8MM BLACK	x
29	58411176300	WIRING HARNESS REAR	03
30	58411059100	STARTERCABLE 700 MM	'97
31	58411059350	BATTERY CABLE L= 200 MM	03
32	58411058000	STARTER RELAY WITH HOLD.RUBBER	1
33	0985060003	SELF LOCK. NUT DIN0985-M 6	3
34	58411058050	HOLD. RUBBER FOR STARTRELAY	1
35	58411053100	BATTERY 12V 8,6AH	03
36	58411053050	BATTERY COVER	96
37	58411097100	GROUND CABLE D=6MM L=140MM '97	1

05584110 / C065841100

* NEW PART

X AS REQUIRED

WIRING HARNESS

640 LC4 ENDURO ORANGE EU 2006

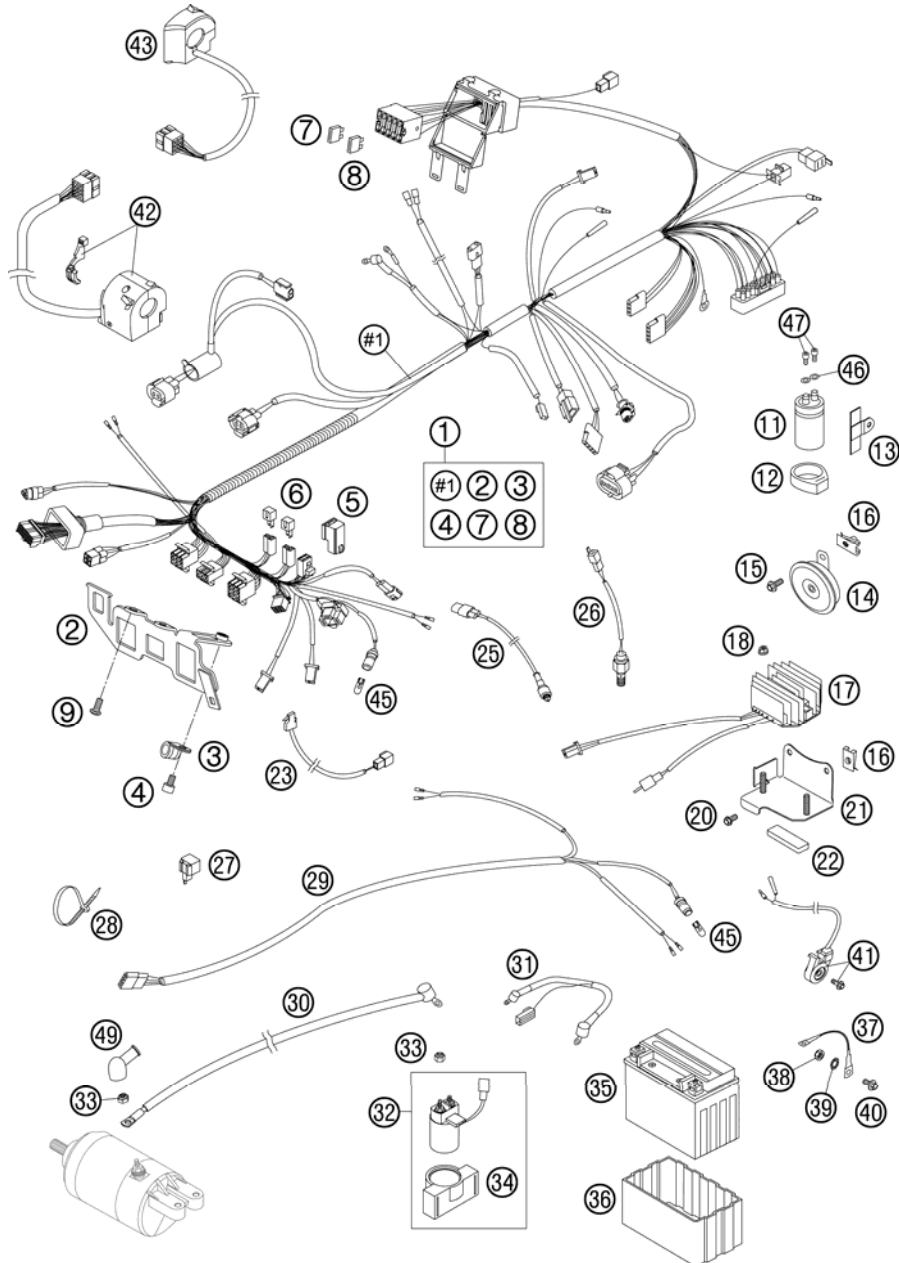


FIG	PART NUMBER	DESCRIPTION	QTY
38	56509064100	SELF LOCKING NUT M6 10.9	1
39	58411098100	CONTACT WASHER M6 VSV-K6	1
40	0014060153	HH COLLAR SCREW M 6X15 WS=8	1
41	58411045000	SIDE STAND SWITCH CPL. '97	1
42	58411070100	HEAD LIGHT SWITCH AD LC4 02	1
43	58411074200	START-STOP SWITCH AD 03	1
45*	49011435100	BULB 12V 5W (W2,1X9,5D) PHIL.	2
46	0797050003	TOOTH LOCK WASH. DIN6797-J 5,3	2
47	0912050083	AH SCREW DIN 912 M 5X8	2
49	58440099000	PROTECTION CAP F. STARTER ENG.	1

05584110 / C065841100

* NEW PART

X AS REQUIRED

ATTACHMENT PARTS

640 LC4 ENDURO ORANGE EU 2006

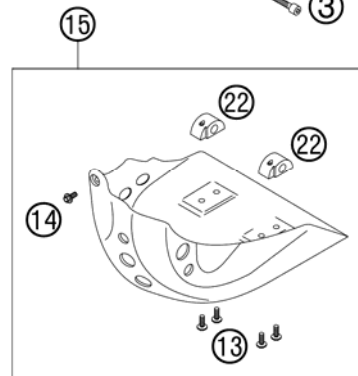
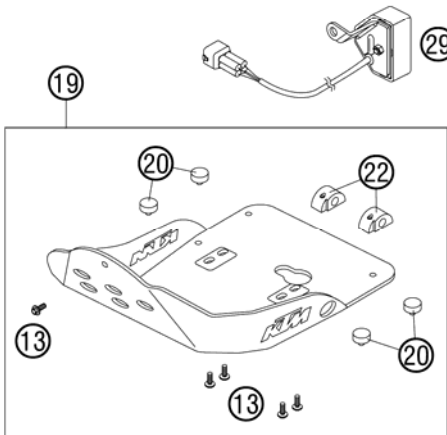
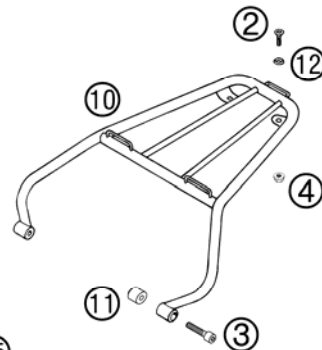
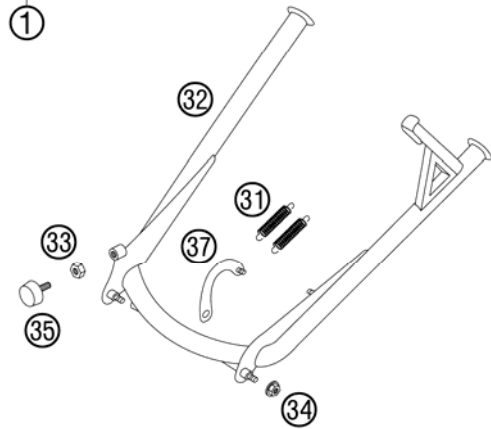
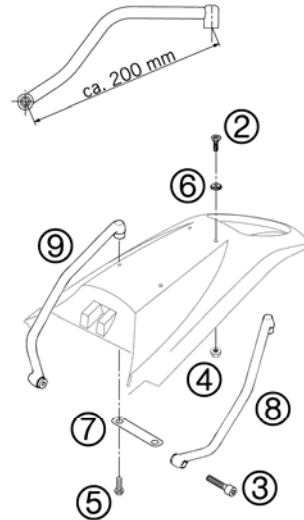
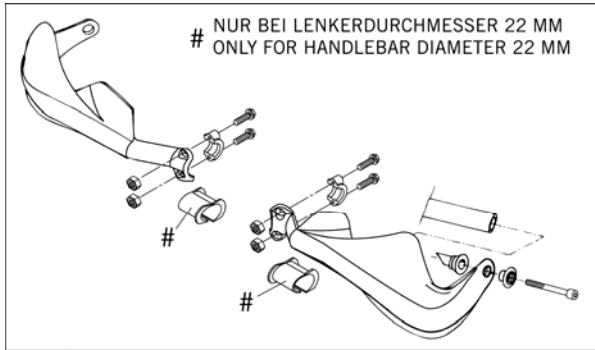


FIG	PART NUMBER	DESCRIPTION	QTY
1	6000207910004	HANDGUARD L/S+R/S CPL.ORANGE04	1
1	6000207910030	HANDGUARD L/S+R/S CPL.BLACK 04	1
2	0991060203	FLAT H.SCREW DIN7991-M6X20 8.8	2
3	0912060353	AH SCREW DIN0912-M 6X35	2
4	56509064100	SELF LOCKING NUT M6 10.9	2
5	0015060163	HH COLLAR SCREW M 6X16 WS=8	2
6	58308045000	SPECIAL WASHER 7X12,5X20 BLACK	2
7	58412008052	METAL SHEET F.HANDLE BLACK LC4	1
8	58412008000	HANDLE L/S BLACK LC4 '99	1
9	58412009000	HANDLE R/S BLACK LC4 '99	1
10	5841201020030	BAGGAGE CARRIER BLACK MIL LC4	1
11	58412011100	BUSH FOR BAGGAGE CARRIER 2000	2
12	40006006000	WASHER 6MM	2
13	0014060153	HH COLLAR SCREW M 6X15 WS=8	x
14	0014060103	HH COLLAR SCREW M 6X10 WS=8	1
15	58303005244	SKID PLATE PLASTIC	1
19	58412099044	SKID PLATE LIMITED CPL. 97 ALUMINIUM	1
20	54308042000	RUBBER BUFFER	4
22	58003012200	ENGINE PROTECTOR BRACKET '97	2
29	58214069044	TRIPMASTER SWITCH CPL. ADV. 02	1
31	10003021000	STAND SPRING SHORT	2
32	5750302210090	CENTER STAND 378MM SILVER 03	1
33	0934080003	HEXAGON NUT DIN0934-M 8	1
34	54310086200	SELF LOCKING NUT M8 10.9	2
35	58303070000	STOP RUBBER M8	1
37	5830302700090	SPRINGBOW SILVER '99	1

05584120 / C065841200

* NEW PART

X AS REQUIRED

HAND BRAKE CYLINDER

640 LC4 ENDURO ORANGE EU 2006

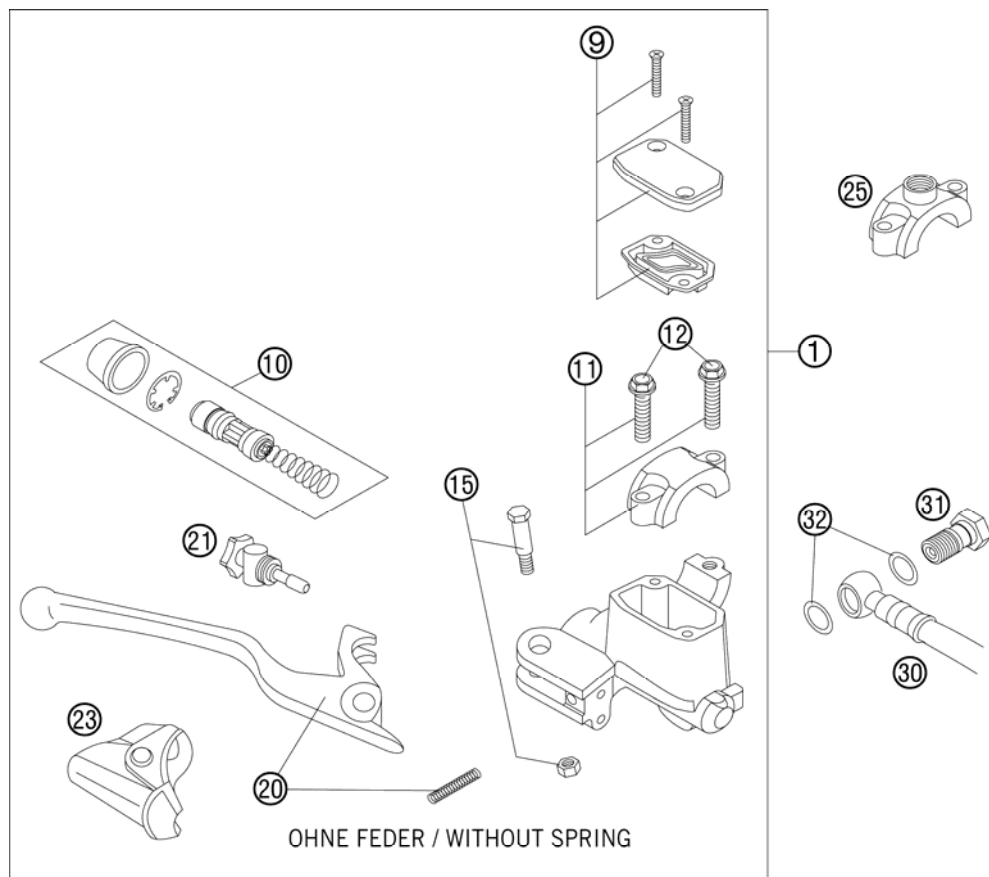


FIG	PART NUMBER	DESCRIPTION	QTY
1	58413001100	HANDBRAKE CYL. NAT. LC4 2002	1
9	50313003000	HANDBRAKE CYL. COVER CPL. NATURE	1
10	50313008300	REP. SET PISTON D=11 EXC 2001	1
11	50313005000	CLAMP CPL. NATURE	1
12	0015060253	HH COLLAR SCREW M 6X25 WS=8	2
15	50313006100	LEVER SCREW CPL. 2001	1
20	50313002000	HANDBRAKE LEVER 18MM 2000 WITHOUT SPRING FITTING	1
21	50313007100	ADJUSTING SCREW CPL. EXC 2000	1
23	50313004000	PROTECTION CAP HAND BRAKE CYL.	1
25	58012040150	CLAMP FOR MIRROR '94	x
30	58413011400	BRAKE HOSE FRONT LC4 2003	1
31	50213025000	HOLLOW SCREW M10X1X19	1
32	42013226000	CU-SEAL RING DIN7603-10X16X1	2
80	306054	BRAKE FLUID DOT 5.1	1

05583130 / C065841300

* NEW PART

X AS REQUIRED

REAR BRAKE CONTROL

640 LC4 ENDURO ORANGE EU 2006

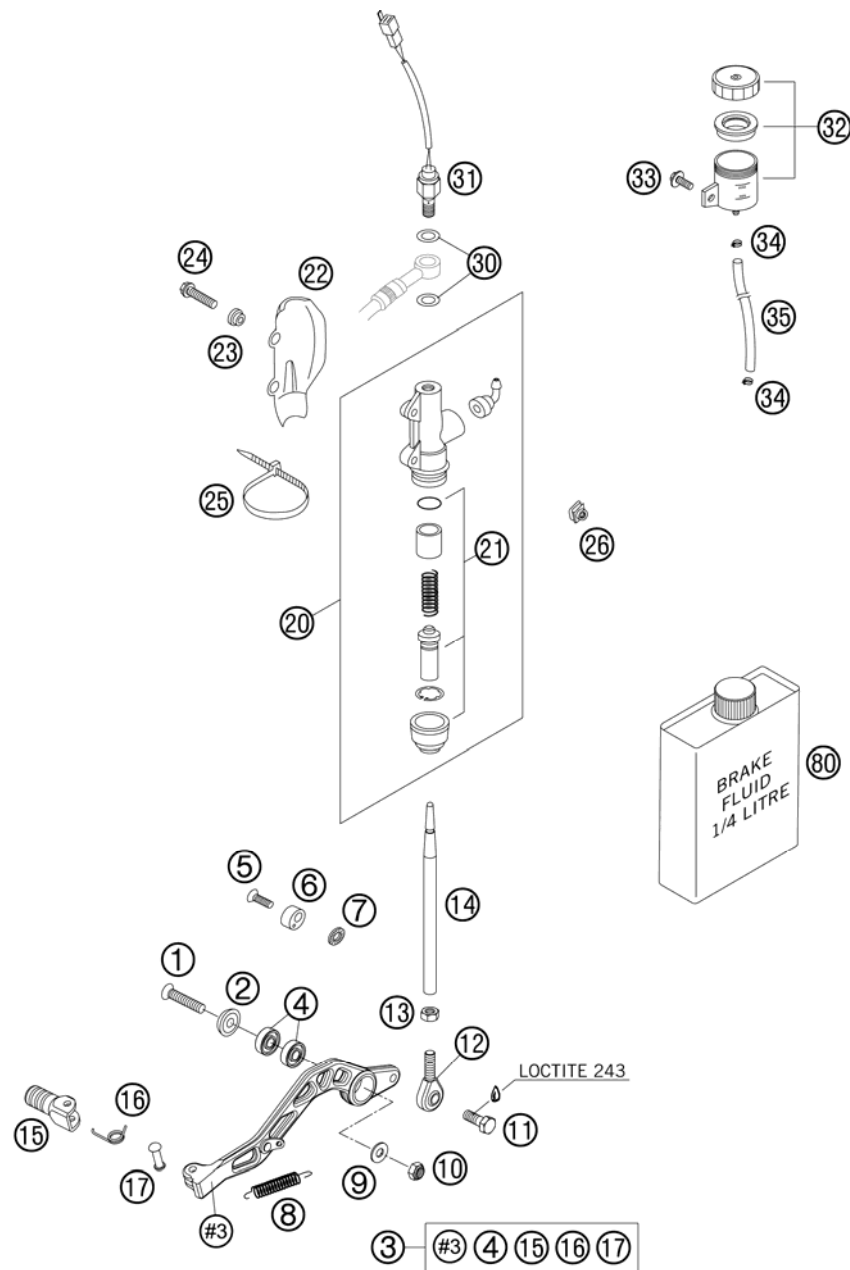


FIG	PART NUMBER	DESCRIPTION	QTY
1	0991080353	FLAT HEAD SCREW DIN7991-M 8X35	1
2	58303061000	SPECIAL WASHER ALU 8 X 24 MM	1
3	58403070244	FOOT BRAKE LEV. FOLDING CPL.04	1
4	0625006087	GROOVED BALL BEAR. 608 2RS C3	2
5	0991060203	FLAT H.SCREW DIN7991-M6X20 8.8	1
6	58413048000	BRAKE LEVER STOP LC4 03	1
7	0797060003	TOOTH LOCK WASH. DIN6797-A 6,4	1
8	13003062000	RETURN SPRING	1
9	0125080003	WASHER DIN0125-A 8,4	1
10	0985080003	SELF LOCKING NUT DIN0985-M 8	1
11	0933080223	HH SCREW DIN0933-M 8X22 8.8	1
12	58303062000	HEIM JOINT M8 W=12MM '93	1
13	0934080003	HEXAGON NUT DIN0934-M 8	1
14	58303068100	PUSH ROD ALU L=178MM '93	1
15	54634131000	STEP PLATE FOR SHIFT LEVER 250	1
16	54634032100	SHIFTING LEVER SPRING 250	1
17	54634031050	BOLT 6X25 FOR SHIFT LEVER	1
20	54513101044	MAIN BRAKE CYLINDER '89	1
21	54513150000	REPAIR KIT PISTON 13MM	1
22	54513038000	BRAKE CYL. PROTECTOR "BREMBO"	1
23	50213161000	COLLAR BUSHING	2
24	0015060253	HH COLLAR SCREW M 6X25 WS=8	2
25	44011076200	CABLE TIE 200/3,6MM BLACK	1
26	50235033300	SNAP-NUT HOLDER M6 KP142	2
30	42013226000	CU-SEAL RING DIN7603-10X16X1	2
31	50311051100	BRAKE LIGHT SWITCH REAR '98	1
32	54513030044	BRAKE FLUID RESERVOIR '89	1
33	0014060103	HH COLLAR SCREW M 6X10 WS=8	1
34	58007017000	YDNAC CLAMP 10101 (9MM)	2
35	58007016101	HOSE FOR RESERVOIR 6X1,5	x
80	306054	BRAKE FLUID DOT 5.1	1

065831301 / C065841301

* NEW PART

X AS REQUIRED

BRAKE CALIPER FRONT

640 LC4 ENDURO ORANGE EU 2006

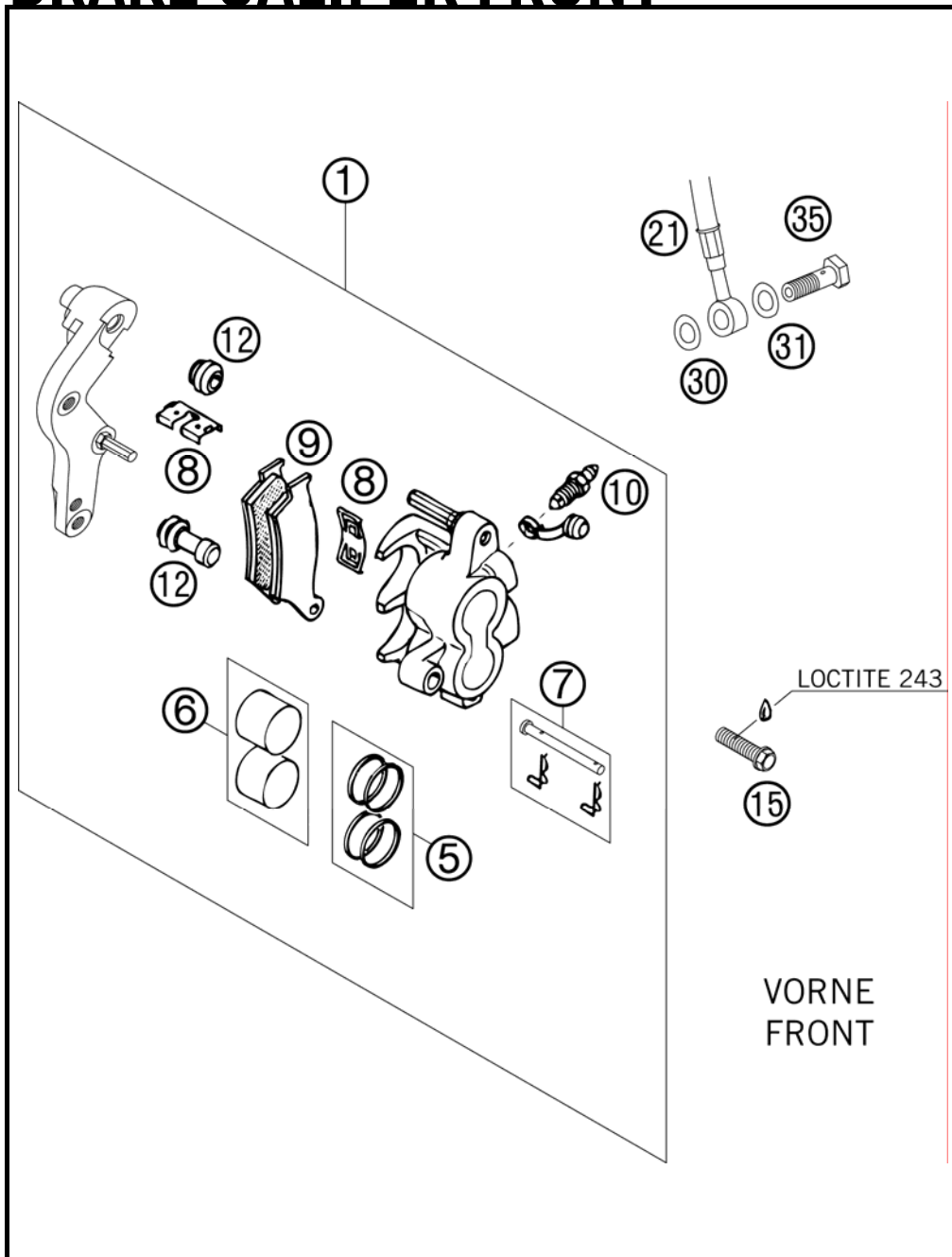


FIG	PART NUMBER	DESCRIPTION	QTY
1	58413015144	BRAKECAL.FRONT CPL. 300MM 2000	1
5	54613205000	REPAIR KIT 28MM	1
6	54613206000	REPAIR KIT PISTON 28MM	1
7	54613210100	BOLT CPL. 6X56	1
8	54613212000	RETAINING PLATE SET BREMBO	1
9	50313030100	BRAKE P.SET FR. TOSHIBA TT2701	1
10*	60013020000	BLEEDER SCREW WITH CAP	1
12	54613218000	CUP SET SHORT	1
15	0015080350	HH COLLAR SCR. M8X35 WS10 W.L.	2
21	58413011400	BRAKE HOSE FRONT LC4 2003	1
30	42013226000	CU-SEAL RING DIN7603-10X16X1	1
31	42013026000	CU-SEAL RING DIN7603-10X16X1,5	1
35	50213025000	HOLLOW SCREW M10X1X19	1

065841302 / C065841302

* NEW PART

X AS REQUIRED

BRAKE CALIPER REAR

640 LC4 ENDURO ORANGE EU 2006

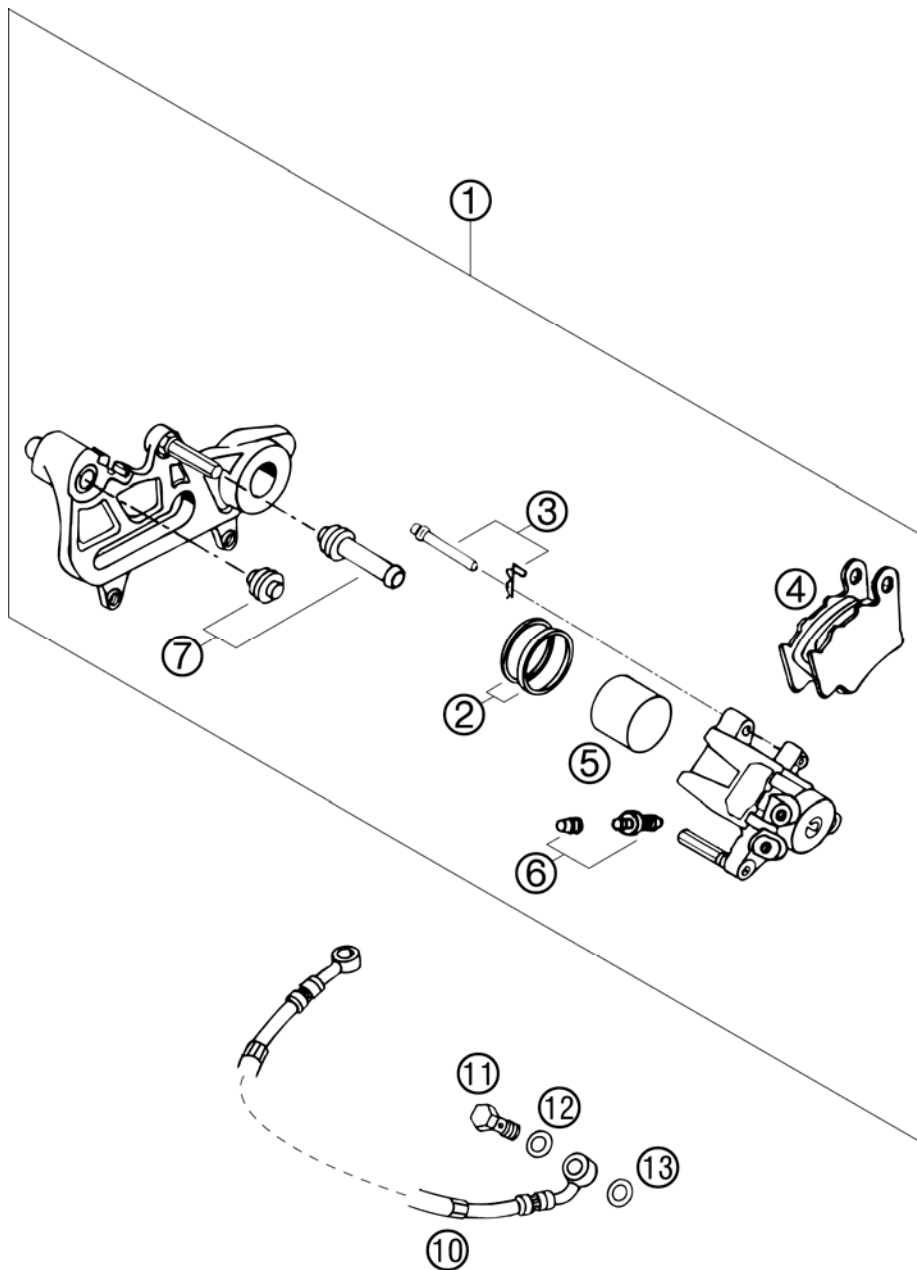


FIG	PART NUMBER	DESCRIPTION	QTY
1	50213301644	BRAKE CALIPER CPL. REAR L/S	1
2	54613318200	REPAIR KIT SEALING RINGS 34MM	1
3	54613310200	BOLT SET	1
4	54613309200	BRAKE PAD SET REAR ID450	1
5	54613305200	BRAKE PISTON 34MM	1
6*	60013020000	BLEEDER SCREW WITH CAP	1
7	54613218000	CUP SET SHORT	1
10	58313070000	BRAKE HOSE REAR 790MM '97	1
11	50213025000	HOLLOW SCREW M10X1X19	1
12	42013226000	CU-SEAL RING DIN7603-10X16X1	1
13	42013026000	CU-SEAL RING DIN7603-10X16X1,5	1

02584132 / C065841303

* NEW PART

X AS REQUIRED

LIGHTING SYSTEM

640 LC4 ENDURO ORANGE EU 2006

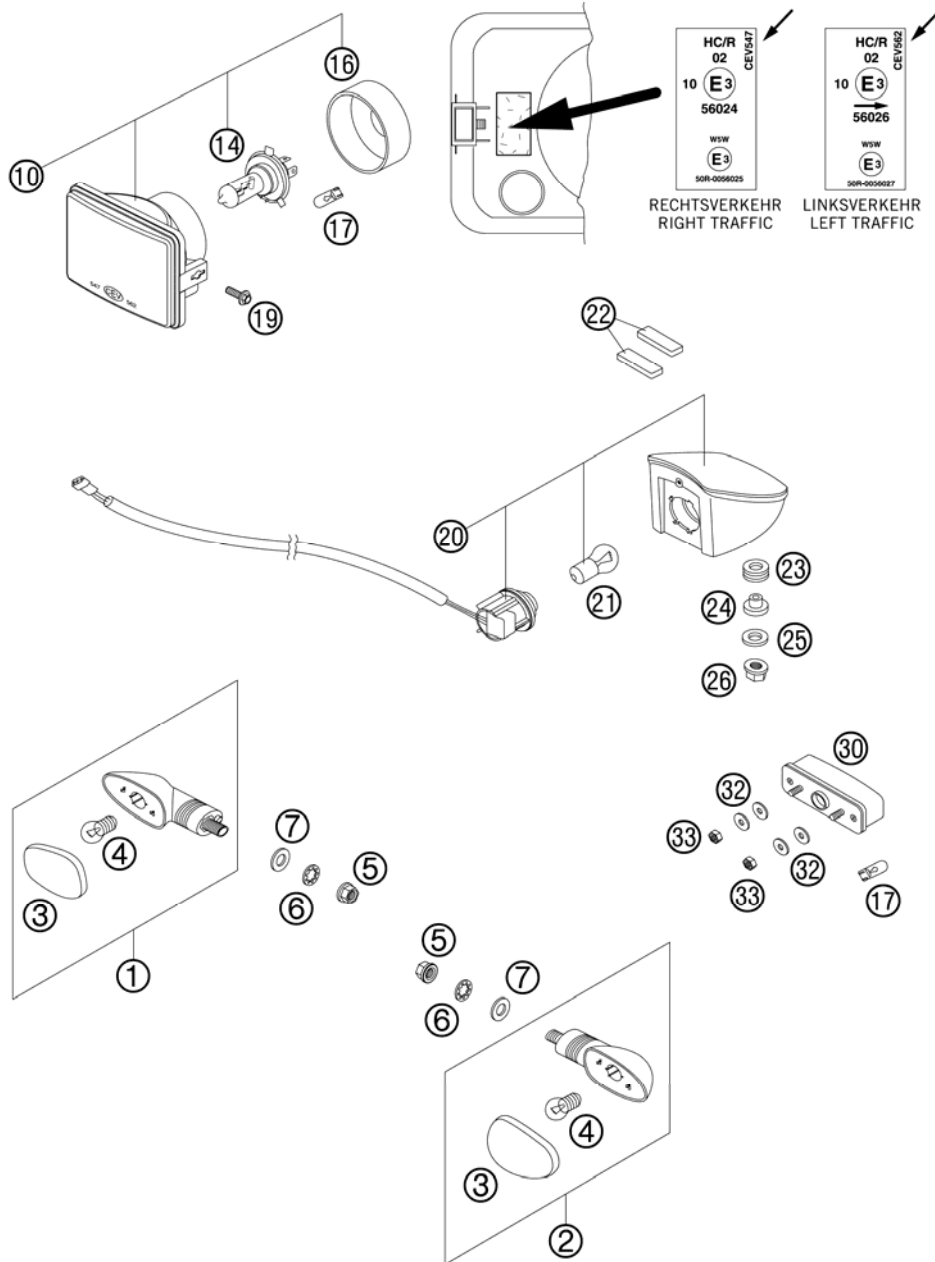


FIG	PART NUMBER	DESCRIPTION	QTY
1	5841402600030	FLASHER CPL.FRONT R/S REAR L/S	2
2	5841402500030	FLASHER CPL.FRONT L/S REAR R/S	2
3	58414028000	FLASHER LENS L/S & R/S '98 ORANGE	4
4	44111015100	BULB 12V 10W (BA15S)	4
5	58414030000	HH COLLAR NUT M10X1,25 WS=13	4
6	0797100003	LOCK WASHER DIN6797-J10,5 ZI	4
7	0125100003	WASHER DIN0125-A10,5	4
10	58414001100	HEAD LIGHT CEV 547 RIGHT/S. H4 RIGHT TRAFFIC	1
14	57111038000	BULB H4 12V 60/55W (P43T)	1
16	50211537000	RUBBER CAP	1
17*	49011435100	BULB 12V 5W (W2,1X9,5D) PHIL.	2
19	0014060203	HH COLLAR SCREW M 6X20 WS=8	2
20	58414040100	REAR LIGHT CPL. LC4 2001	1
21	58414042000	BULB 12V 21/5W (BAY15S)REINFO.	1
22	58414040051	METAMOLL FOR REARLIGHT 99 15MM X 50MM X 5MM	2
23	41001052000	RUBBER SLEEVE D=12MM	3
24	58714048000	REAR LIGHT BUSHING	3
25	51006097000	WASHER 6,2X22X1,ST30,W.GALV.	3
26	56509064100	SELF LOCKING NUT M6 10.9	3
30	58414047000	LICENSE-PLATE ILLUMINATION '98	1
32	0021050003	WASHER DIN9021-A 5,3	4
33	0985050003	SELF LOCKING NUT DIN0985-M 5	2

05584140 / C065841400

* NEW PART

X AS REQUIRED

SPEEDOMETER

640 LC4 ENDURO ORANGE EU 2006

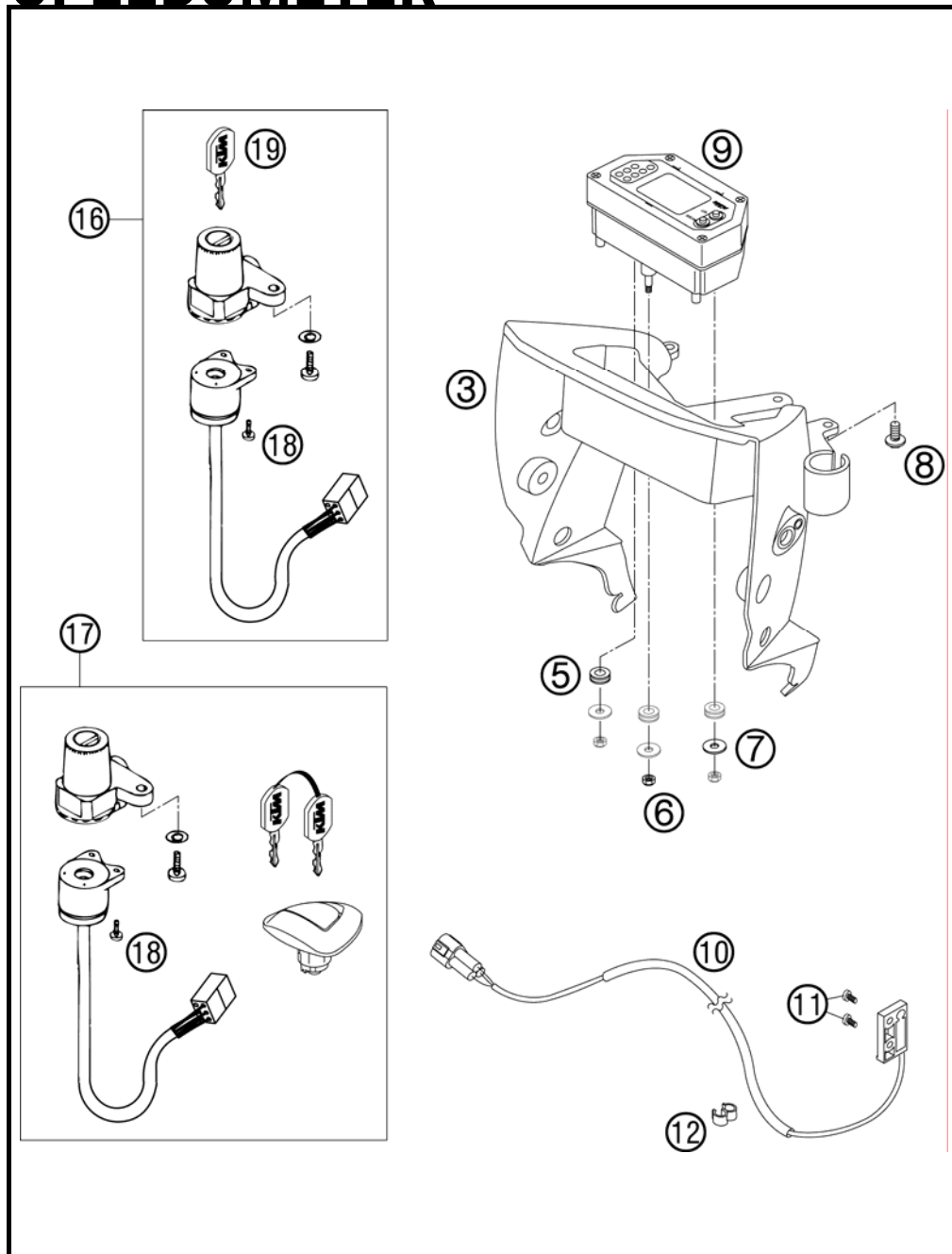


FIG	PART NUMBER	DESCRIPTION	QTY
3	58411003200	MASK SUPPORT LC4 03	1
5	58214069051	RUBBER GROMMET 16X10,8X3 02	3
6	0021050003	WASHER DIN9021-A 5,3	3
7	0985050003	SELF LOCKING NUT DIN0985-M 5	3
8	0014060103	HH COLLAR SCREW M 6X10 WS=8	3
9*	61014069000	DIGITAL SPEEDOMETER 05	1
10	58214069150	SPEEDOMETER SENSOR ADV. 2002	1
11	0084040083	CYL.HEAD SCREW DIN0084-M 4X8 A	2
12	55011022100	CLAMP D=6/8MM, BLACK	2
16	58411066100	IGNITION LOCK LC4 USA,AUS '99	1
17	58411066244	IGNITION LOCK+TANK PLUG S/A98	1
18	0985040123	FLAT HEAD SCREW DIN7985-M 4X12	2
19	40011166100	KEY BLANK LC4/DUKE/LC8	x

05584141 / C065841401

* NEW PART

X AS REQUIRED



KTM-Sportmotorcycle AG
A-5230 Mattighofen
www.ktm.at

KTM Group Partner



3CF9703F6EN



Art.Nr.: 3CF9703F6EN 9/2005